

Service
Service
Service

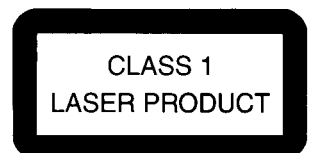
Service Manual

12 V 

Contents	Page
Specifications	2
Service	2
Interface cable connections	2
Functional explanation	4
Notes regarding CD player repairs	7
Notes regarding handling of the pick-up	7
Pick-up detail	9
Disassembly	10
IC circuit descriptions and IC block diagrams	14
Block diagram	19
PCB layout / connections	20 and 23
Circuit diagram 1/3	21
Circuit diagram 2/3	22
Circuit diagram 3/3	24
Trouble shooting	25
Exploded view CD changer mechanism / Lubrication overview	28
Mechanical parts	29
Exploded view cabinet parts	30
Cabinet parts and accessories	31
Electrical parts	31



COMPACT
disc
DIGITAL AUDIO



PHILIPS

SPECIFICATIONS

Power supply	: 13.2VDC (nom.)	Distortion	: ≤ 0.01% (at 1kHz)
	: 16.0VDC (max.)	Data - Track mute	: ≥ 93dB (A-weighted)
Frequency response	: 20-20,000 Hz (± 1dB)	Wow and flutter	: unmeasurable
DAC resolution	: 1 bit per channel	Output voltage	: 700mV
Bus interface	: D ² B	Operating positions	: Horizontal/Vertical/45°
Crosstalk L<>R	: ≤ -75dB	Weight	: 2 kg
S/N ratio	: 96dB (A-weighted)	Dimensions (HxWxD)	: 66 x 259 x 175 mm

SERVICE

IMPORTANT !!

!! IMPORTANT

- When disassembling, ALWAYS protect the pick-up unit against ESD damage by closing the solder connection of the pick-up unit either on the CD panel or the flexible foil pcb!
(See also the repair notes and disassembly procedures described in this manual.)
- New pick-up units are supplied with CLOSED solder connections on the flexible foil pcb.
Do NOT forget to remove the solder connection AFTER replacing the unit!

SERVICE HINTS

- To prevent magazine check (duration approx. 30-40 sec.), insert the magazine and press the 'eject' button SIMULTANEOUSLY. In that case disc no.1 is loaded and the set comes into 'Standby' mode.
- Use (home-made) extension cables of approx. 30 cm to get access to the bottom side of the main pcb for measuring purposes. Two extension cables (a 2-pole and a 5-pole one) are required. To make these cables, the following parts can be ordered and used for making the extension cables:
CS801 - cable assy 2-pole - 4822 321 62668
CS802 - cable assy 5-pole - 4822 320 11738
- The set can also operate without cover, but take care of the following measures:
 - ABSOLUTELY NEVER PERMIT LASER BEAMS TO ENTER THE EYES
 - DO NOT EXPOSE THE SET TO BRIGHT (SUN)LIGHT
- When the CD changer has a defect while the magazine is still in, the magazine can be removed by moving the emergency eject lever to the right by a small screwdriver, as shown in figure 1 below. First the protection sheet has to be removed. DO NOT FORGET to put the sheet back, to prevent dust intrusion! When a disc is chucked, turn the gear to the right until the slide lever reaches to the edge of the left side (see figure 2).

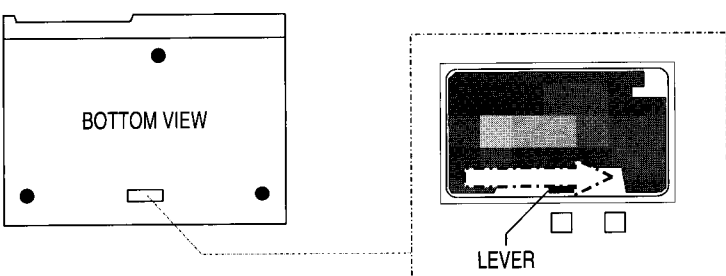


Figure 1

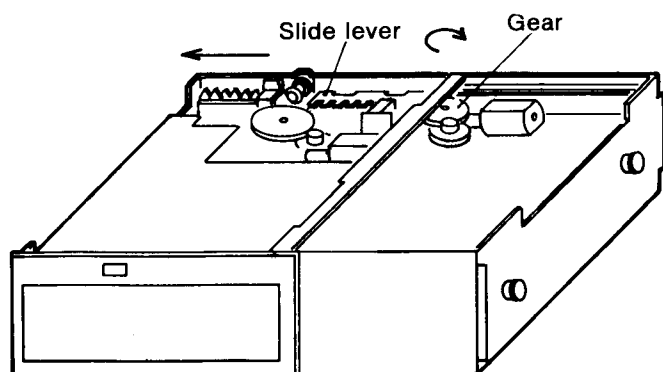
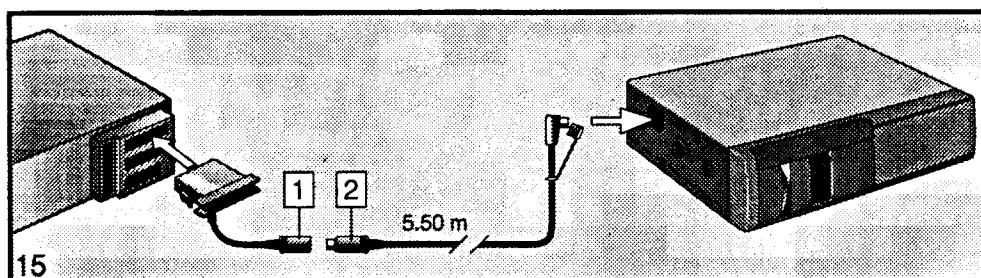


Figure 2

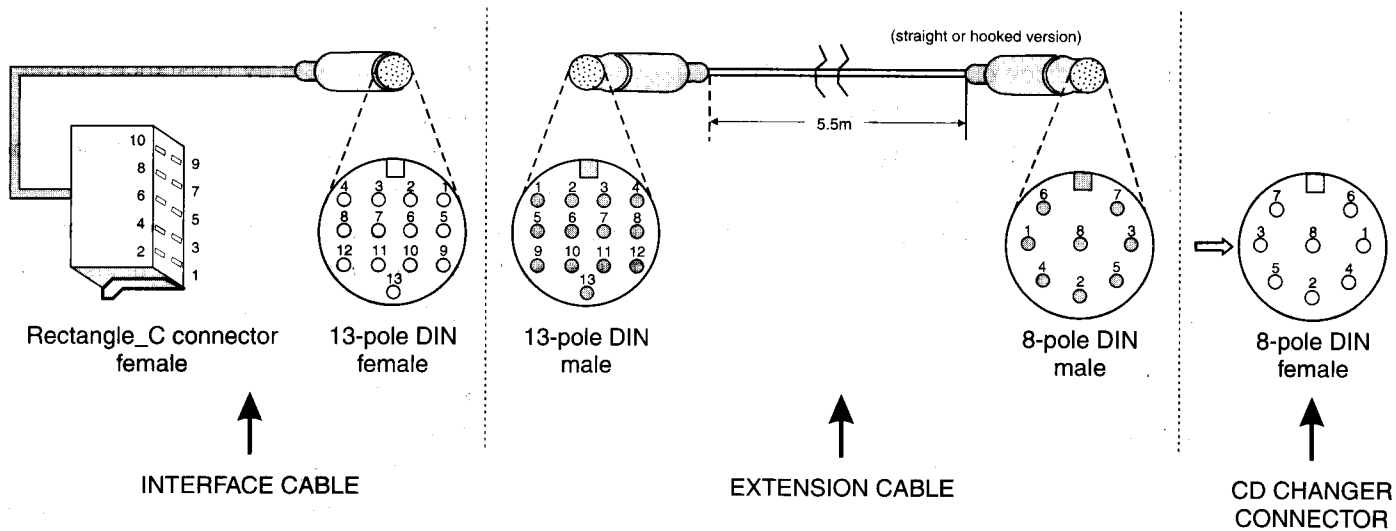
INTERFACE CABLE CONNECTIONS



INTERFACE CABLE CONNECTIONS (continued)

The figure below shows the pin layout of the connections of the interface cable (service 12nc: **4822 321 62263**) and the extension cable (service 12nc: **4822 321 62671**).

All connections here are seen from the *front* side of the connectors.



RECTANGLE_C CONNECTOR

Pin	Signal
1	BUS_GND
2	D ² B +
3	D ² B -
4	N.C.
5	+ 12V PERM.
6	GND
7	+ 12V SW.
8	R_CH
9	L_CH
10	SIGN_GND
(SHIELD)	(GND)

13-POLE DIN CONNECTOR

Pin	Signal
1	SIGN_GND
2	L_CH
3	SIGN_GND
4	R_CH
5	GND
6	N.C.
7	+ 12V SW.
8	+ 12V PERM.
9	BUS_GND
10	N.C.
11	D ² B +
12	D ² B -
13	N.C.
SHIELD	GND

8-POLE DIN CONNECTOR

Pin	Signal
1	+ 12V SW.
2	+ 12V PERM.
3	GND
4	D ² B -
5	D ² B +
6	R_CH
7	L_CH
8	SIGN_GND
SHIELD	GND

FUNCTIONAL EXPLANATION

FUNCTIONAL EXPLANATION

1. APC (Auto laser power control)

This is the circuit to control laser power of pickup, and laser ON/OFF is set by command from micro computer.

2. RF Amplifier (I pattern output)

This inputs pickup photo diode output current (A+C) to FIN2 (1pin), and (B+D) to FIN1 (2pin). Input current is IV-converted, and output to RFSM (41pin) of RFSM amplifier output by way of AGC circuit. Self-contained AGC circuit has variable range of $\pm 3\text{dB}$, and the time constant can be varied by outside-fixed condenser of PH1 (60pin). This also controls bottom level of EFM signal (RFSM output), and this response can be varied by outside-fixed condenser of BH1 (61pin). Central gain of AGC variable range is set by resistance value between RFSM (41pin) and RFS-(42pin).

3. SLC (Slice level control)

SLC makes duty of EFM signal which is input to DSP 50%. This judges duty, and decides DC level by integrating EFMO signal which is output from DSP.

4. Focus servo

Focus error signal can be gained by detecting the difference between (A+C) and (B+D), which is (B+D)-(A+C), and it is sent to FE (20pin). Focus error signal gain is set by resistance value between FE (20pin) and FE-(21pin).

FA amplifier is phase compensating Amplifier, and the equalizer curve is set by outside-fixed condenser and resistance. Besides, this amplifier has muting function. FD amplifier has the following functions; phase compensating circuit, focus search signal synthesis, and offset cancelling. Focus search starts by F-SERCH command, and generates lamp waveshape by inner clock. Focus error signal by this waveshape detects in-focus condition (focus zero cross), and turns on focus servo. Lamp waveshape amplitude is set by resistance between FD (16pin) and FD-(17pin).

5. Tracking servo

This inputs pickup photo diode output current to E (3pin) and F (4pin). Input current is IV-converted, and output to TE (7pin) by way of VCA circuit for balance adjustment and VCA circuit for follow-up to RFAGC circuit. Tracking error gain is set by resistance between TE-(6pin) and TE (7pin).

TOFF amplifier just after TE (7pin) turns off servo by TOFF signal from DSP.

TH amplifier varies servo response characteristic by TGL signal from DSP. or by THLD signal of inside formation by detecting JP signal. When DEFECT is detected, inside mode changes into THLD. This can be avoided by causing short circuit in DEF (49pin) to "L"=GND. In case of detection, gain can be automatically up by configulating outside DCI (9pin) band pass filter which picks up only shock element out of tracking error signals and putting it in.

TO amplifier has the function of synthesizing JP pulse and cancelling tracking offset. JP pulse is set by JP (14pin) (THLD is detected inside).

6. Sled servo

SLEQ (28pin) sets response characteristic. Amplifier after SLEQ (28pin) has muting function, and mutes SLOF (38pin) by "H" or SLED OFF command. Sled feed is operated by means of current input to SL-(30pin) and SL+(31pin), that is, by connecting to output port of micro computer by resistance and setting feeding gain by the resistance value.

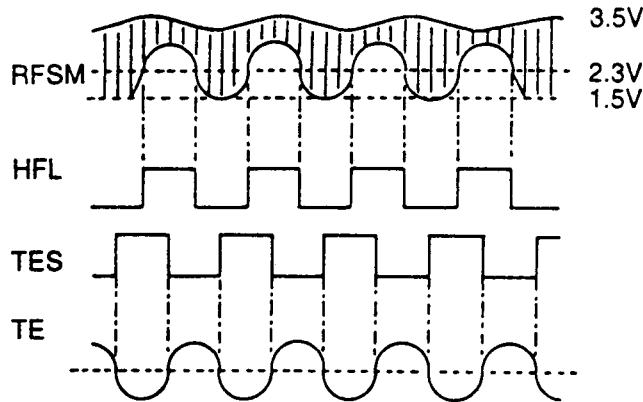
7. Spindle servo

This configures, together with DSP, servo circuit to keep disc linear velocity at a scheduled level. This receives signal from DSP by CV-(39pin) and CV+(40pin), and sets equalizer characteristic by SP (23pin), SP-(36pin) and SPD (27pin) which output to SPD (27pin). SPG (25pin) is set by resistance with which amplifier gain of 12cm mode is connected to standard voltage.

FUNCTIONAL EXPLANATION

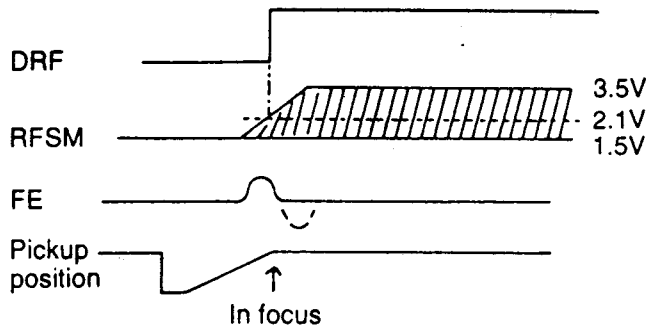
8. TES, HFL (Traverse signal)

In transferring pickup from inner track to outer track, EF output from pickup should be so connected that HFL and TES have phase relation as shown in the figure below. TES comparator has about $\pm 100\text{mV}$ hysteresis at -polarity comparator against TES1 input. To pickup exclusively necessary signals out of TE signals, band pass filter is configured outside.



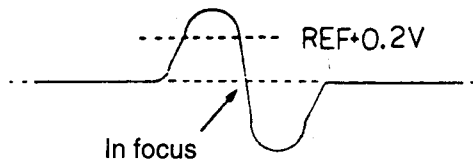
9. DRF (Beam level judgement)

DRF becomes "H", when EFM signal (RFSM output) is held at peak value by condenser of PH1 (60pin) and peak value of RFSM gets over 2.1V. Condenser of PH1 (60pin) is related to setting both DRF constant when detected and RFAGC response.



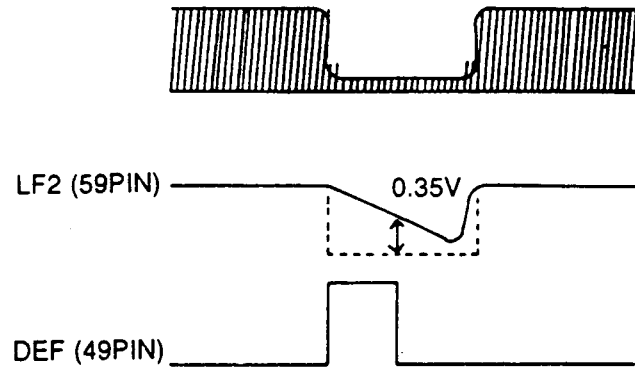
10. In-focus judgement

This detects DEF+0.2V of focus error signal S curve, and then judges focus zero cross (being in focus) when S curve becomes REF.



11. DEFECT

This normally maintain mirror surface level by condenser of LF2 (59pin), and when lack of EFM signal (RFSM output) gets over 0.35V, outputs "H" to DEF (49pin). When DEF (49pin) becomes "H", tracking servo changes into THLD mode.

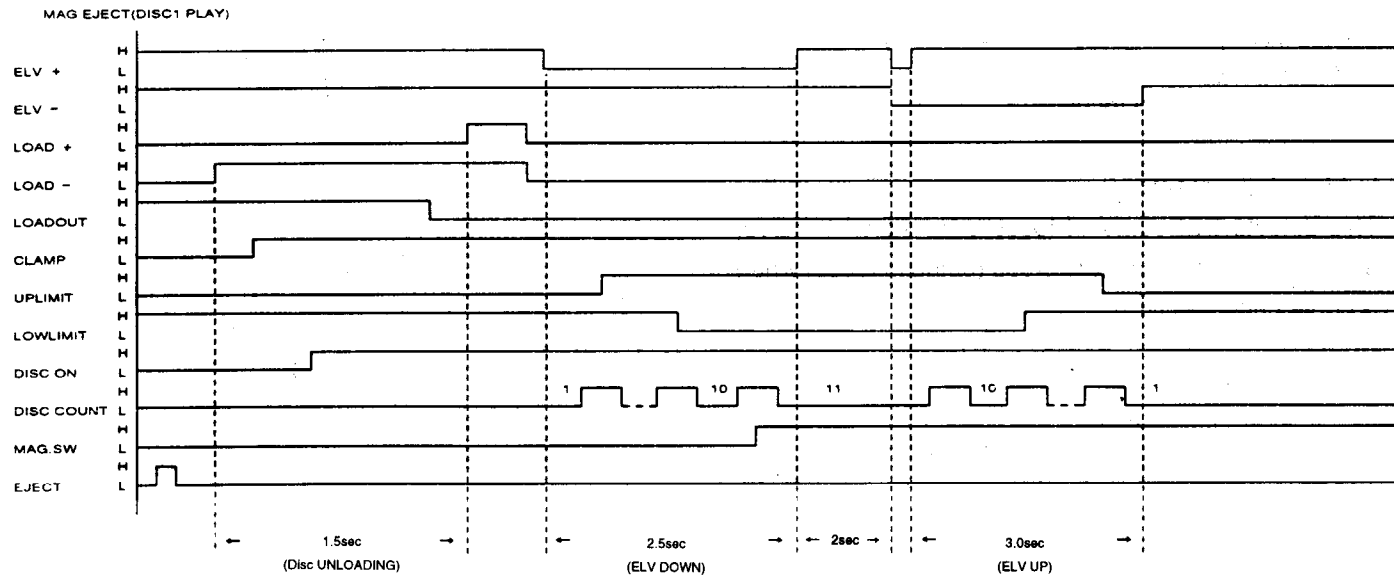
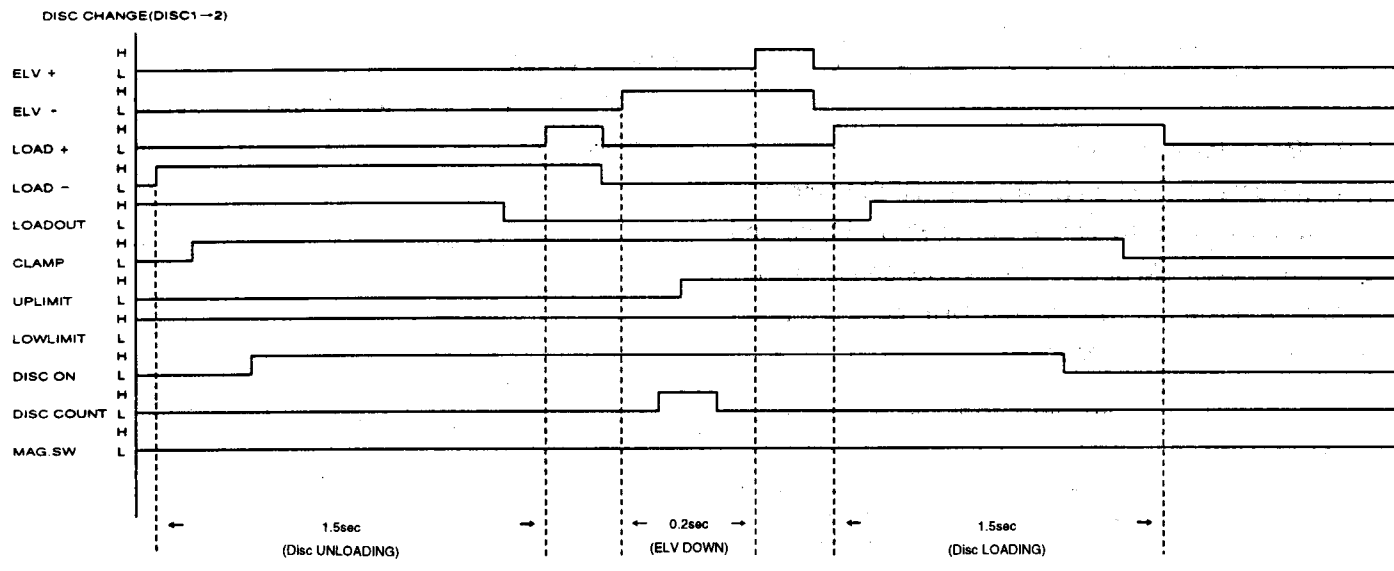
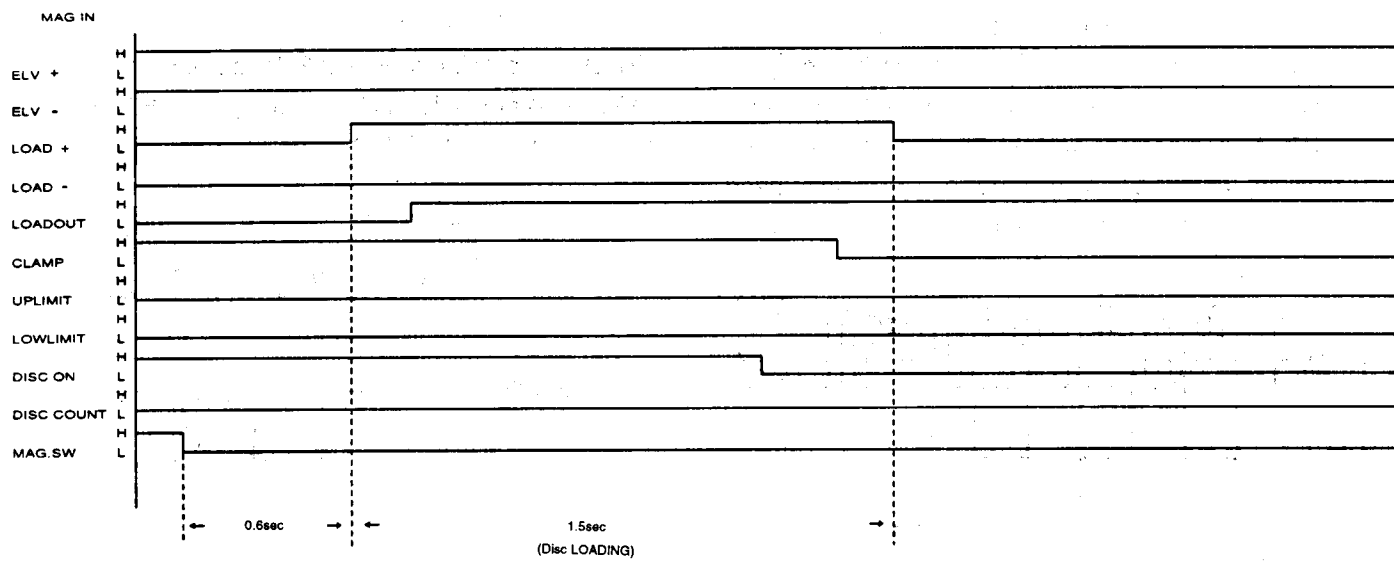


12. Reset circuit

When Vcc gets over about 2.8V, Power on Reset is cancelled.

FUNCTIONAL EXPLANATION

Mechanical Timing



NOTES REGARDING COMPACT DISC PLAYER REPAIRS

(1) Preparations

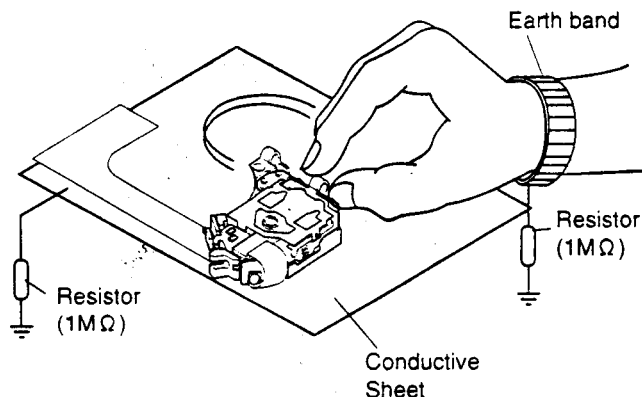
- 1) Compact disc players incorporate a great many ICs as well as the pickup (laser diode). These components are sensitive to , and easily affected by , static electricity. If such static electricity is high voltage, components can be damaged, and for that reason components should be handled with care.
- 2) The pickup is composed of many optical components and other high-precision components. Care must be taken, therefore, to avoid repair or storage where the temperature of humidity is high, where strong magnetism is present, or where there is excessive dust.

(2) Notes for repair

- 1) Before replacing a component part, first disconnect the power supply lead wire from the unit.
- 2) All equipment, measuring instruments and tools must be grounded.
- 3) The workbench should be covered with a conductive sheet and grounded.
When removing the laser pickup from its conductive bag, do not place the pickup on the bag. (This is because there is the possibility of damage by static electricity.)

- 4) To prevent AC leakage, the metal part of the soldering iron should be grounded.
- 5) In removing short circuit solder of LASER PICKUP, use ceramic heater type of soldering iron.
- 6) Workers should be grounded by a earth band (1M Ω).
- 7) Care should be taken not to permit the laser pickup to come in contact with clothing, in order to prevent static electricity changes in the clothing to escape from the earth band.
- 8) The laser beam from the pickup should NEVER be directly facing the eyes or bare skin.

Countermeasure of electrostatic



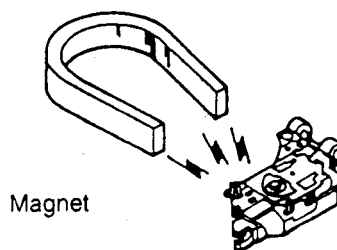
NOTES REGARDING HANDLING OF THE PICKUP

(1) Notes for transport and storage

- 1) In retaining the product, high temperature, high humidity and dusty circumstances must be avoided. After taking it out of packing box, never leave it at the place where dust can occur. (Take every possible preventive means against dust.)
- 2) The pickup should always be left in its conductive bag until immediately prior to use.
- 3) As this is minutely adjusted, be careful never give it any shock from drop or careless handling.

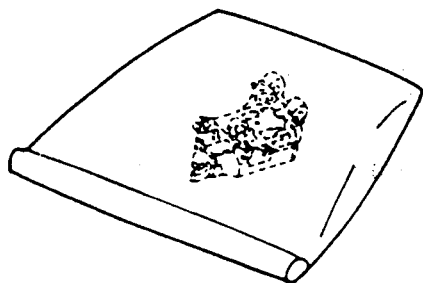
(2) Repair notes

- 1) The pickup incorporates a strong magnet, and so should never be brought close to magnetic materials.



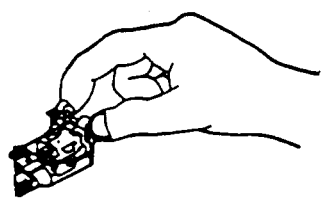
Storage in conductive bag

Drop impact



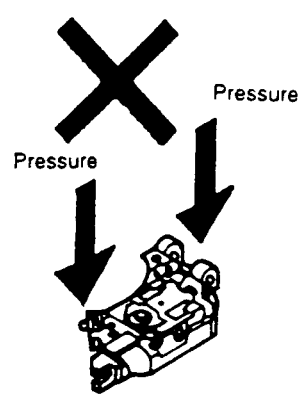
NOTES REGARDING HANDLING OF THE PICKUP

2) The pickup should always be handled correctly and carefully, taking care to avoid external pressure and impact. If it is subjected to strong pressure or impact, the result may be an operational malfunction and/or damage to the printed circuit board.



How to hold the pickup

Grabbing print circuit board or pulling connecting wire causes function deterioration or failure. Be sure to hold the whole housing.



3) If LASER PICKUP or MECHA ASSY is set or reset with power supplied. LASER DIODE or PHOTO DETECTOR is damaged. Be sure to turn off power supply switch before setting or resetting LASER PICKUP or MECHA ASSY.

4) To prevent LASER DIODE or PHOTO DETECTOR from being deteriorated or damaged by static electricity, be sure to thoroughly practice earthing as a preventive means against damage from static electricity.

5) Take every possible means against damage of LASER DIODE or PHOTO DETECTOR from overcurrent or overvoltage. (Example—Use power source equipped with current limiter.)

6) If fingerprint or any other foreign material is attached on objective lens, the function is extremely deteriorated. Be sure never to touch objective lens. Particularly, be very careful in removing or fitting lens cover.

7) PICKUP is a single part, and very minutely adjusted as such. Therefore, never touch any of adjustment points, fixing screws or print circuit board of PICKUP.

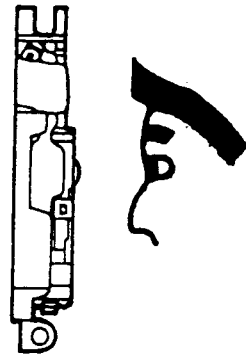
(1) If you touch partially fixed volume soldered on circuit board (beam fixed quantity adjusting volume), emitted beam quantity (RF LEVEL) can change. Never touch partially fixed volume.

(2) If there occurs even a very small shift in the circuit board fixture position, the function greatly changes. In handling LASER PICKUP, be very careful to hold metal part of housing (HOUSING).

8) If metal part of adjusting rod or driver touches circuit board when power is supplied, it can cause failure. Be careful.

9) Laser beam may damage the eyes! Absolutely never permit laser beams to enter the eyes! Also NEVER switch ON the power to the laser output part (lens, etc.) of the pickup if it is damaged.

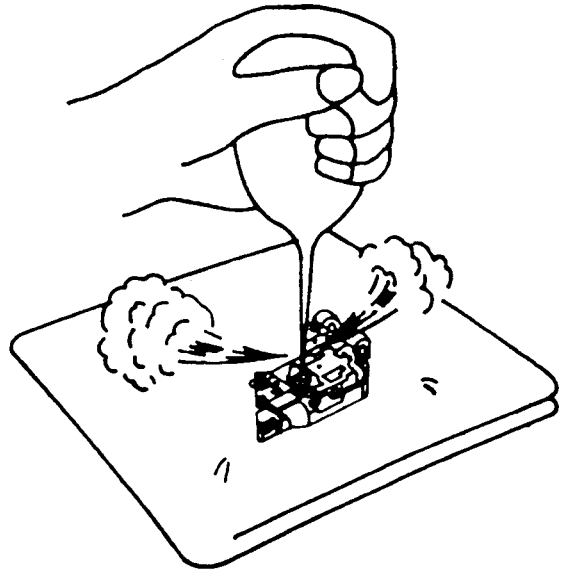
LaserBeam



NEVER look directly at the laser beam, and don't let contact fingers or other exposed skin.

10) Cleaning the lens surface

If there is dust on the lens surface, the dust should be cleaned away by using an air brush (such as used for camera lens). The lens is held by a delicate spring.

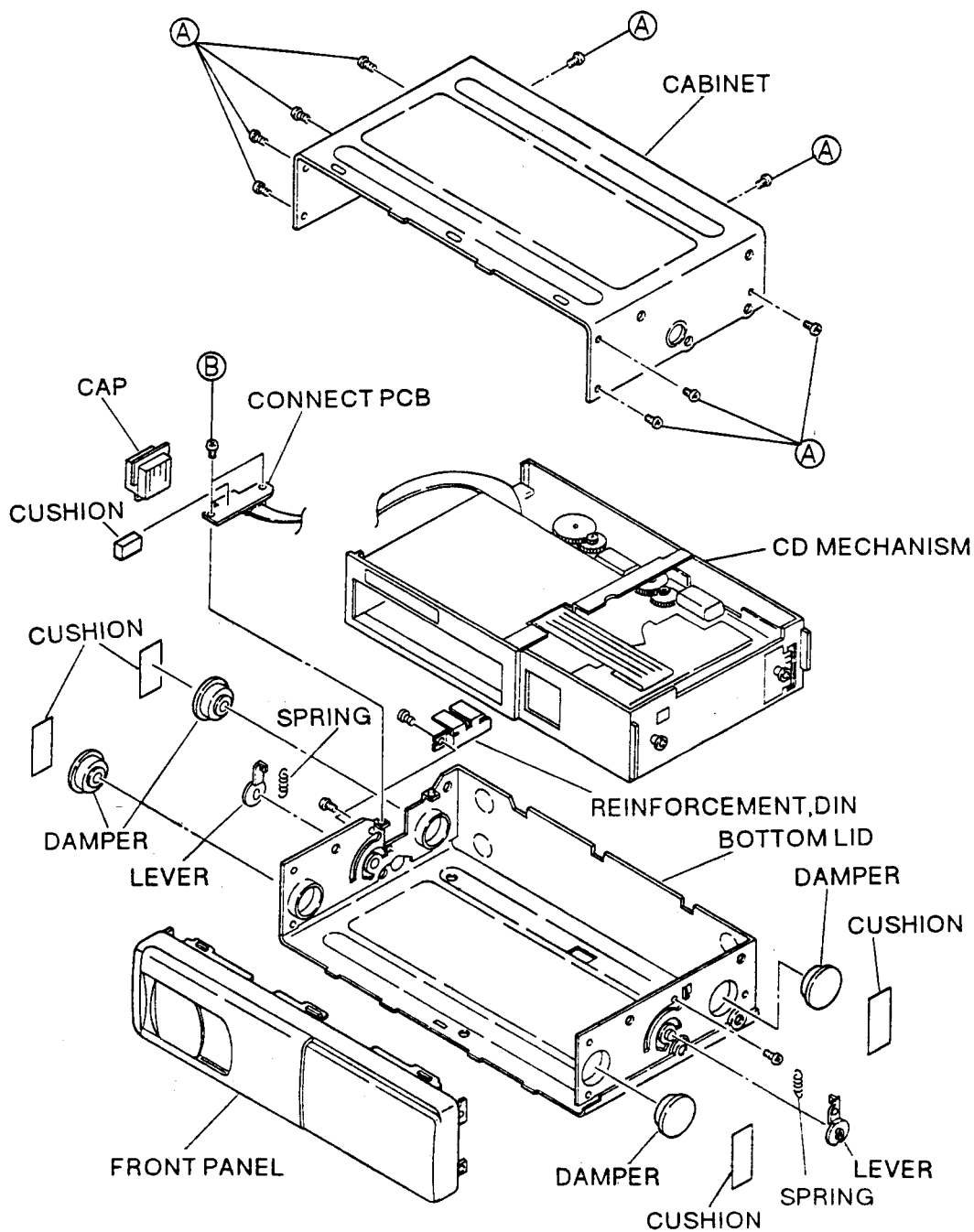


Conductive Sheet

11) Never attempt to disassemble the pickup.

DISASSEMBLY

1. Remove 9 screws (A) securing the cabinet.
2. Remove the cabinet with pushing the front panel stopper.
3. Remove the front panel with pushing the both bottom lid stopper.
4. Remove 2 screws (B) and the connector (C) Connect P.C.B. can be removed.
5. Remove the cushion.
6. Remove the damper.
7. If remove the spring (D) installed between the mechanism and the chassis, also mechanism can be removed.

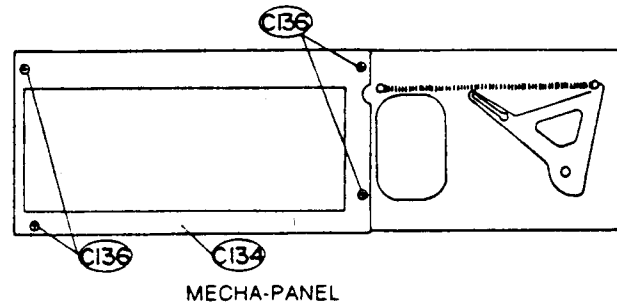


CD MECHANISM

1) How to remove the ELEVATOR MOTOR, FEED MOTOR and the LORDING MOTOR.

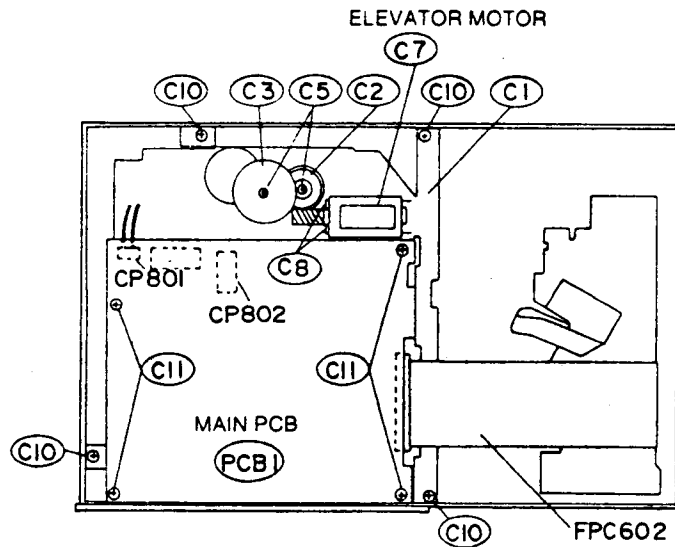
(1) How to remove the FEED MOTOR.

1. Short the short-pattern of FPC, PU (C99) with solder.
2. Remove the two screws (SCR S-TPG PAN PCS 2 × 3) (C136) which fasten the MECHA-PANEL (C134). The MECHA-PANEL can be removed.
3. Remove the four screw (SCR S-TPG PAN PCS 2 × 4) (C11) which fasten the MAIN PCB (PCB1).
4. Remove the connectors (CP801 and CP802).
5. Only when you will also remove the ELEVATOR MOTOR, remove FPC602.
6. Remove the five screws (SCR TPG PAN PCS 2 × 4) (C10) which fasten the TOP CHASSIS (C1). The TOP CHASSIS can be removed.
7. Remove the two screw (SCR S-TPG PAN PCS 2 × 2.5) (C55) which fasten the FEED MOTOR (C54).



(2) How to remove the ELEVATOR MOTOR.

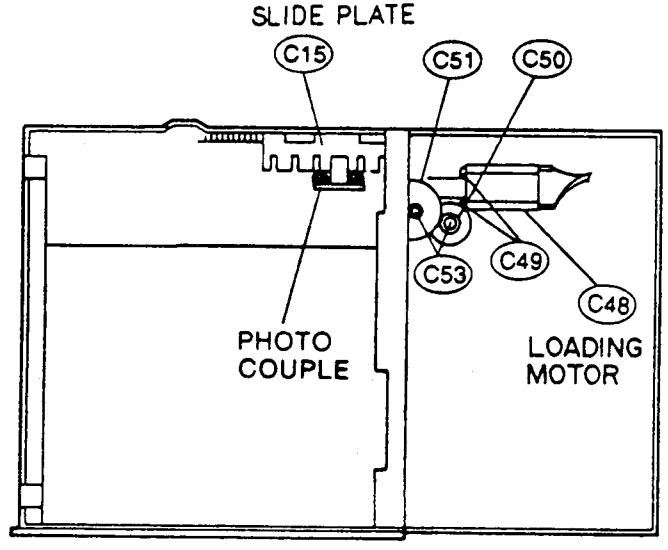
1. Remove the SPECIAL WASHER (C5) which fasten the GEAR A (C2) and the GEAR B (C3). The GEAR A and the GEAR B can be removed.
2. Remove the two screws (SCR S-TPG PAN PCS 2 × 2.5) (C8) which fasten the ELEVATOR MOTOR (C7). The ELEVATOR MOTOR can be removed.



DISASSEMBLY

(3) How to remove the LOADING MOTOR.

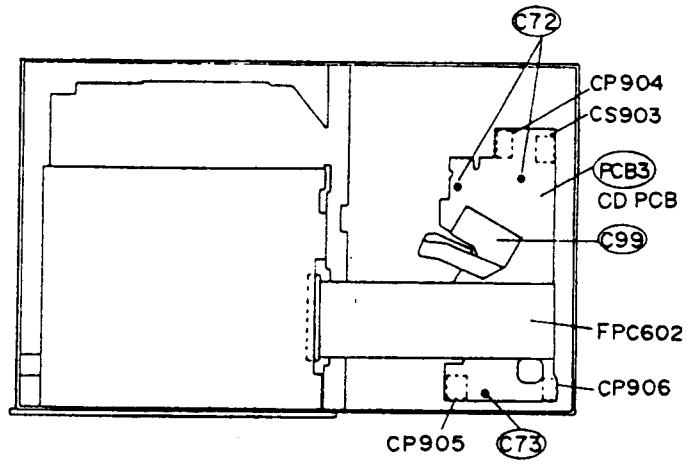
1. Remove the SPECIAL WASHER (C53) which fasten the GEAR LA (C50) and GEAR LB (C51). The GEAR LA and GEAR LB can be removed.
2. Moving the slide plate C (C15) to the right, lower the elevator to the third slot position.
3. Remove the two screws (SCR S-TPG PAN PCS 2×2.5) (C49) which fasten the LOADING MOTOR (C48). The LOADING MOTOR can be removed.



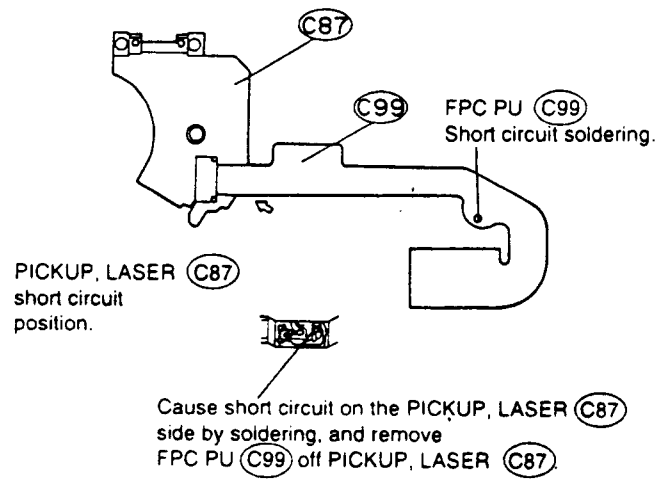
2) How to remove the PICKUP and the SPINDLE MOTOR.

(1) How to remove the CD PCB and PICKUP.

1. Short the short-pattern of FPC, PU (C99) with solder.
2. Remove CS903, FPC602, CP904, CP905 and CP906 from the connector.
3. Remove the two screws (SCR S-TPG PAN PCS 2×4) (C72) and one screws (SCR S-TPG BIN 2×7) (C73) which fasten the CD PCB (PCB3).



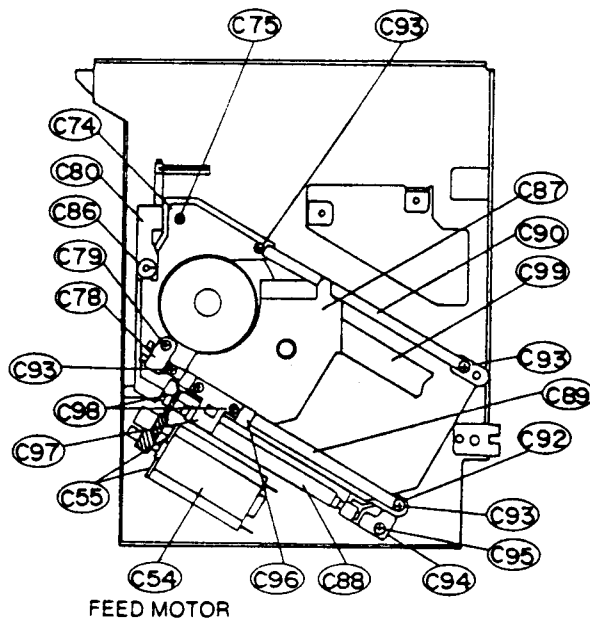
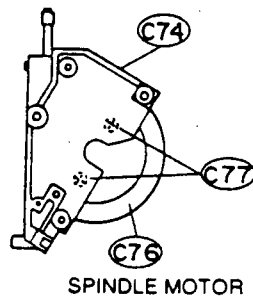
4. Remove the screw (SCR S-TPG BIN 2×7) (C79) which fix INSIDE SWITCH (C78).
5. Remove the two screws (SCR PAN PCS 1.7×3.5) (C98), and THRUST, SCREW (C96), PLATE, SLIDE (C97) will come off.
6. Remove the two screws SPECIAL SCREW (C93) which fix SHAFT, PICKUP, A (C89).
7. Remove the SHAFT, PICKUP, A (C89) from the PICKUP, LASER (C87). The PICKUP, LASER (C87) can be removed.
8. Cause short circuit by soldering in PICKUP, LASER (C87).
9. Remove FPC, PU (C99) off CONNECT, and CD P.C.B (PCB3) come off.



DISASSEMBLY

(2) How to remove the SPINDLE MOTOR.

1. Remove the screw (SCR S-TPG PAN PCS 2×4) (C95) which fix MOUNT-M, SCREW (C92) and SPRING, PLATE, SCREW (C94).
Remove the ASSY, SHAFT, SCREW (C88).
2. Remove the two screws SPECIAL SCREW (C93) which fix SHAFT, PICKUP, B (C90).
3. Remove the screw (SCR S-TPG PAN PCS 2×4) (C75) which fix CHASSIS, SPINDLE (C74).
4. Remove SPECIAL WASHER (C86) which fix LEVER, DISC (C80).
5. Remove the screw (SCR PAN PCS 1.7×2.2) (C77), and SPINDLE MOTOR (C76) will come off.



IC CIRCUIT DESCRIPTION

IC601 - LC78620E

Terminal Number	Terminal Code	I/O	Function Explanation	
1	DEFI	I	Defect detection signal (DEF) input terminal. (When unused, "L".)	
2	TAI	I	For PLL	Input terminal for testing. Pulldown resistance is self-contained.
3	PDO	O		Phase comparison output terminal for outer VCO control.
4	VVss			Power supply terminal for self-contained VCO. Normally 0V.
5	ISET	AI		Resistance connecting terminal for PDO output current adjustment.
6	VVDD			Earthing terminal for self-contained VCO. Normally 5V.
7	FR	AI		For VCO range frequency adjustment.
8	Vss		Earthing terminal for digital system. Normally 0V.	
9	EFMO	O	For slice level control	EFM signal reverse output terminal.
10	EFMO	O		EFM signal output terminal.
11	EFMIN	I		EFM signal input terminal.
12	TEST2	I	Input terminal for testing. Pulldown resistance is self-contained.	
13	CLV+	O	Output terminal for spindle servo control. Accelerates when CLV+ is "H", slows down when CLV- "H".	
14	CLV-	O		
15	V/P	O	Output terminal for automatic switchover monitor by rough servo / phase control. "H" causes rough servo, "L" phase control mode.	
16	FOCS	O	Output terminal for focus servo on/off. "L" causes focus servo ON.	
17	FST	O	Output terminal for focus start pulse. Open drain output.	
18	FZD	I	Input terminal for focus error zero cross signal. (When unused, "L".)	
19	HFL	I	Input terminal for track detecting signal. Schmidt input.	
20	TES	I	Input terminal for tracking error signal. Schmidt input.	
21	PCK	O	Clock monitoring terminal for EFM data playback. At the time of phase lock, 4.3218MHz.	
22	FSEQ	O	Output terminal for synchronous signal detection. When synchronous signal detected from EFM signal and synchronous signal occurring inside correspond, "H".	
23	TOFF	O	Output terminal for tracking OFF.	
24	TGL	O	Output terminal for tracking gain switchover. "L" raises gain.	
25	THLD	O	Output terminal for tracking hold.	
26	TESTS	O	Output terminal for testing. Pulldown resistance is self-contained.	
27	VDD		Power supply terminal for digital system. Normally 5V.	
28	JP+	O	Output terminal for track jump. When JP+ is "H", accelerates at the time of outer track direction jump, or slows down at the time of inner track direction jump. When JP- is "H", accelerates at the time of inner track direction jump, or slows down at the time of outer track direction. 3 value output is possible by command.	
29	JP-	O		
30	DEMO	I	Input terminal for sound turn-on function at the time of set adjustment process. Pulldown resistance is self-contained.	
31	TEST4	I	Input terminal for testing. Pulldown resistance is self-contained.	
32	EMPH	O	Output terminal for deemphasis monitor. At the time of "H", deemphasis disc is in playback.	
33	LRCKO	O	Digital filter output.	Word clock output.
34	DFORO	O		RCH data output.
35	DFOLO	O		LCH data output.
36	DACKO	O		Bit clock output.
37	TESTIO	O	Output terminal for testing. Open (Normally "L" output).	
38	USDACK	I	Anti-shock correspondence	Bit clock input.
39	USDFIN	I	input. (Unused, "L".)	LRch data.

IC CIRCUIT DESCRIPTION

IC601 - LC78620E (CONT'D)

40	USDFIR	I	Anti-shock correspondence	Input terminal for testing. Normally "L".
41	USLRCK	I	input. (unused, "L".)	Word clock output. (When unused, "L".)
42	LRSY	O	ROMXA correspondence input	L/R clock output.
43	CK2	O		Bit clock output. DACLK (At the time of RES) Polarity reverse (CK2CON mode)
44	ROMAX	O		Data output. Data (Supplement) (At the time of RES) ROMOUT (ROMXA mode)
45	C2F	O		C2 Frag output.
46	MUTEL	O		For 1bit DAC
47	LV _{DD}		Power supply terminal for L channel. Normally 5V.	
48	LCHP	O	L channel P output terminal.	
49	LCHN	O	L channel N output terminal.	
50	LV _{SS}		Earthing terminal for L channel. Normally 0V.	
51	RV _{SS}		Earthing terminal for R channel. Normally 0V.	
52	RCHN	O	R channel N output terminal.	
53	RCHP	O	R channel P output terminal.	
54	RV _{DD}		Earthing terminal for R channel. Normally 5V.	
55	MUTER	O	Mute output terminal.	
56	DOUT	O	Digital OUT output terminal.	
57	SBSY	O	Output terminal for synchronous signal of sub-code block.	
58	EFLG	O	Terminal for monitoring C1, C2, single, double correction.	
59	PW	O	Output terminal for sub-code P, Q, R, S, T, U, W.	
60	SFSY	O	Output terminal for synchronous signal of sub-code frame. When sub-code is in standby, " = L".	
61	SBCK	I	Input terminal for sub-code readout clock. Schmidt input.	
62	FSX	O	Output terminal for 7.35KHz synchronous signal which is divided frequency from crystal oscillation.	
63	WRQ	O	Output terminal for sub-code Q output standby.	
64	RWC	I	Input terminal for read/write control.	
65	SQOUT	O	Sub-code Q output terminal.	
66	COIN	I	Input terminal for command from micro computer.	
67	CQCK	I	Input terminal for command input intake clock, or sub-code offtake clock from SQOUT. Schmidt input.	
68	RES	I	Chip reset input terminal. When power is supplied, changeover to "L" once.	
69	TST11	O	Input terminal for testing. Open (normally "L" output).	
70	LASER	O	Output terminal for laser ON/OFF. Controls by serial data command from micro computer.	
71	16M	O	16.9344MHz output terminal. But outputs 33.8688MHz, only in case of quadruple speed playback mode.	
72	4.2M	O	4.2336MHz output terminal.	
73	CONT	O	Spare output terminal. Controls by serial data command from micro computer.	
74	TEST5	I	Input terminal for testing. Pulldown resistance is self-contained.	
75	CS	I	Chip select input terminal. Pulldown resistance is self-contained.	
76	XV _{SS}		Earthing terminal for crystal oscillation. Normally 0V.	
77	XIN	I	Connecting terminal for 16.9344MHz crystal oscillator.	
78	XOT	O	Connects 33.8688MHz crystal oscillator, in case of quadruple speed playback system.	
79	XV _{DD}		Power supply terminal for crystal oscillation. Normally 5V.	
80	TEST1	I	Input terminal for testing. Pulldown resistance is self-contained.	

IC CIRCUIT DESCRIPTION

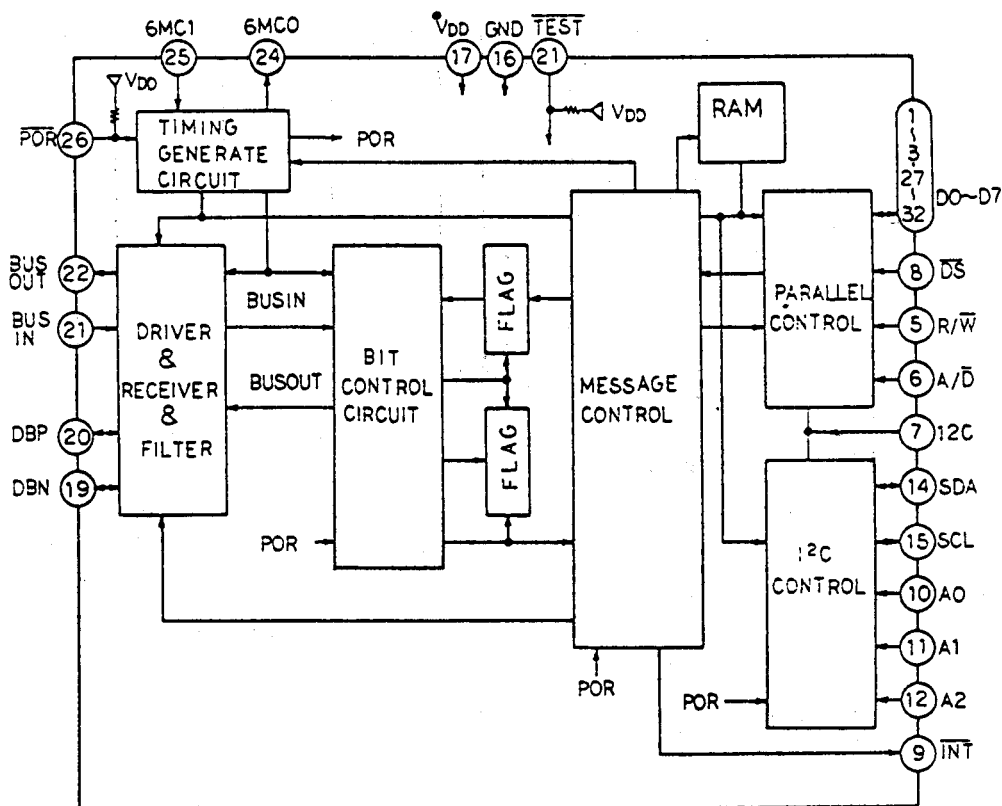
IC851 - MSM6307GS

No	Port Name	I/O	Description
1	D5	I/O	8bit bi-directional address or data bus
2	D6	I/O	8bit bi-directional address or data bus
3	D7	I/O	8bit bi-directional address or data bus
4	N, C	—	
5	R/W	I	Read/Write selector
6	A/D	I	Selects address or data on D0-D7
7	I ² C	I	Selects I ² C or parallel interface
8	DS	I	Data strobe to access data bus
9	INT	O	Interrupt output
10	A0	I	Programmables I ² C slave addresses
11	A1	I	Programmables I ² C slave addresses
12	A2	I	Programmables I ² C slave addresses
13	N, C	—	
14	SBA	I/O	I ² C data signal input/output
15	SCL	I/O	I ² C clock signal input/output
16	GND	—	GND

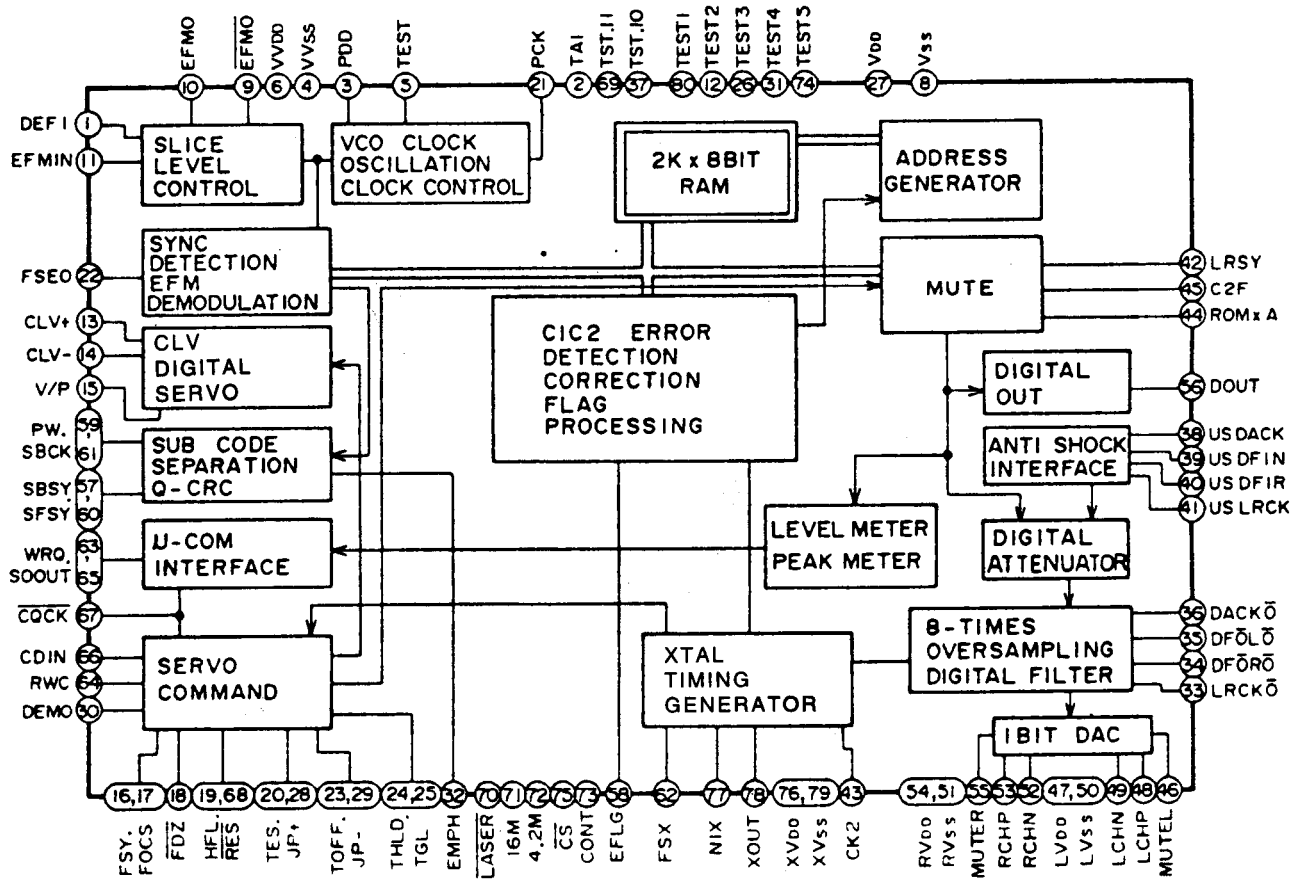
No	Port Name	I/O	Description
17	VDD	—	VDD (+5V)
18	N, C	—	
19	DBN	I/O	Differential D ² B lines of the internal driver/receiver
20	DBP	I/O	Differential D ² B lines of the internal driver/receiver
21	TEST	I	Test mode of IC
22	BUS OUT	O	D ² B output (TTL level)
23	BUS IN	I	D ² B input (TTL level)
24	GCMO	O	Clock output 6MHz resonator
25	GCM I	I	Clock input 6MHz resonator
26	POR	I	Power on reset
27	D0	I/O	8bit bi-directional address or data bus
28	N, C	—	
29	D1	I/O	8bit bi-directional address or data bus
30	D2	I/O	8bit bi-directional address or data bus
31	D3	I/O	8bit bi-directional address or data bus
32	D4	I/O	8bit bi-directional address or data bus

IC CIRCUIT BLOCK DIAGRAM

IC851 - MSM6307GS



IC601 - LC78620E

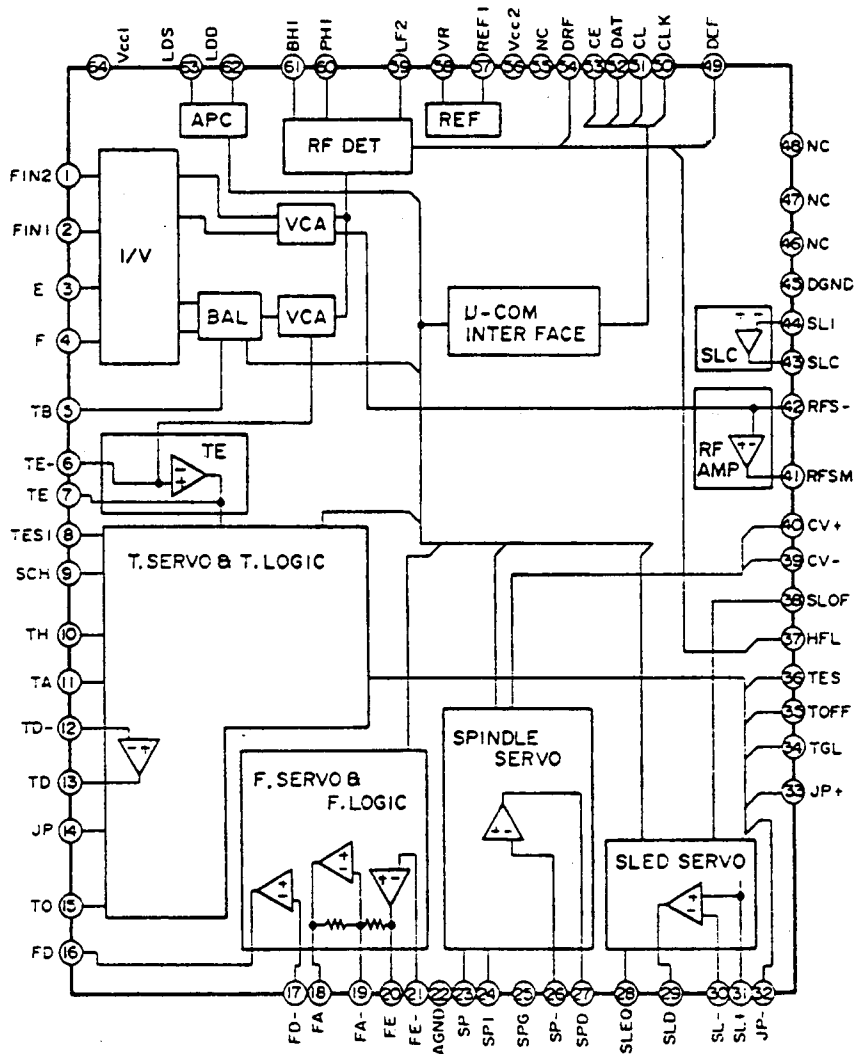


IC CIRCUIT DESCRIPTION

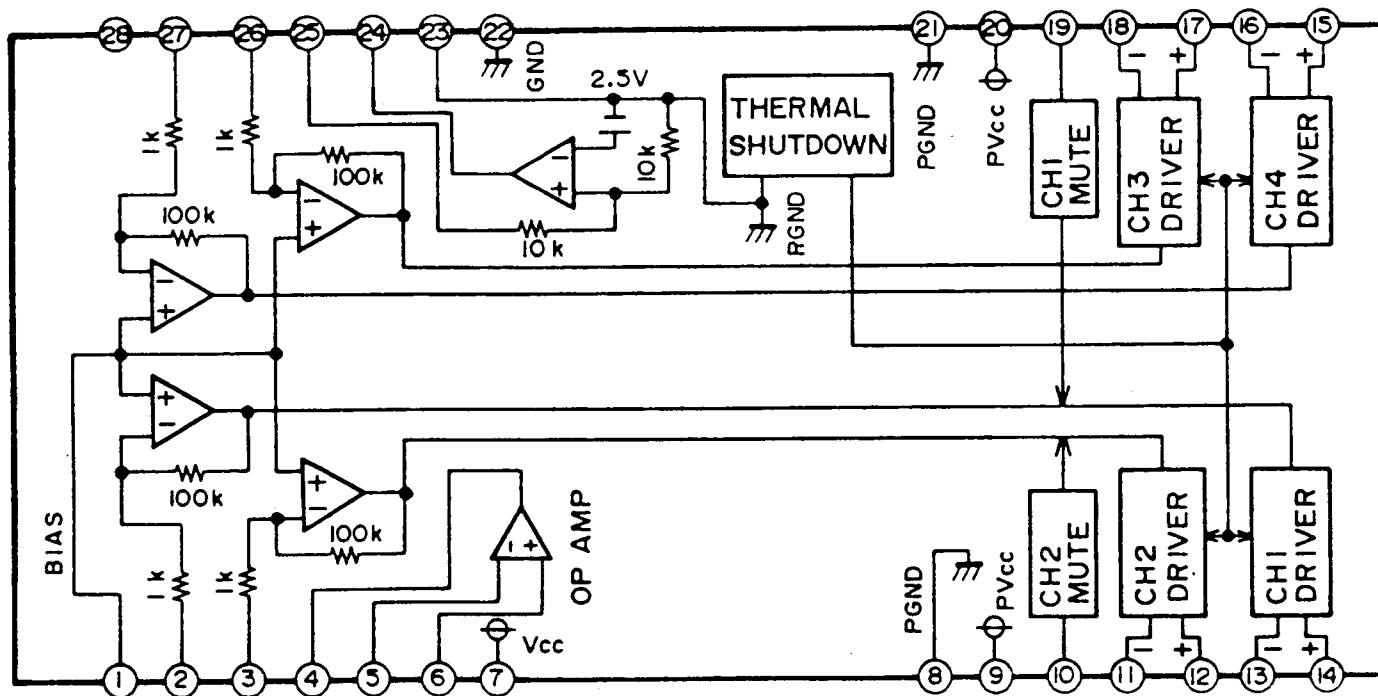
IC650 - LA9240MS

PIN No.	PART NAME	EXPLANATION
1	FIN2	Pickup photo-diode connecting pin. Forms RF signal by addition to FIN1 pin, and FE signal by subtraction.
2	FIN1	Pickup photo-diode connecting pin.
3	E	Pickup photo-diode connecting pin. Forms TE signal by subtraction from F pin.
4	F	Pickup photo-diode connecting pin.
5	TB	Pin for inputting DC constituent of TE signal.
6	TE-	Pin for connecting gain setting resistance of TE signal to TE pin.
7	TE	TE signal output pin.
8	TESI	TES (TRACK ERROR SENCE) comparator input pin. Band Pass TE signal, and input.
9	SCI	Input pin for shock detection.
10	TH	Constant setting pin at the time of tracking gain.
11	TA	Pin for connecting high pass elimination condensor of servo.
12	TD-	Pin for constituting tracking phase compensation constant between TD and VR pin.
13	TD	Pin for setting tracking phase compensation.
14	JP	Pin for setting tracking jump signal (kick pulse) amplitude.
15	TO	Tracking control signal output pin.
16	FD	Focusing control signal output pin.
17	FD-	Pin for constituting focussing phase compensation constant between FD and FA pin.
18	FA	Pin for constituting focussing phase compensation constant between FA- and FE- pin.
19	FA-	Pin for constituting focussing phase compensation constant between FA and FE pin.
20	FE	FE signal output pin.
21	FE-	Pin for connecting FE signal gain setting resistance to TE pin.
22	AGND	GND for analog signal.
23	SP	Single end output of CV+ and CV- pin input signal.
24	SPI	Spindle amplifier input.
25	SPG	Connecting pin for gain setting resistance at the time of spindle 12cm mode.
26	SP-	Connecting pin for Spindle phase compensation constant together with SPD pin.
27	SPD	Spindle control signal output pin.
28	SLEQ	Connecting pin for sled phase compensation constant.
29	SLD	Sled control signal output pin.
30	SL-	Input pin for sled delivery signal from micro computer.
31	SL+	Input pin for sled delivery signal from micro computer.
32	JP-	Input pin for tracking jump signal from DSP.
33	JP+	Input pin for tracking jump signal from DSP.
34	TGL	Input pin for tracking gain control signal from DSP. Gain low in case of TGL="H".
35	TOFF	Input pin for tracking off control signal from DSP. Off in case of TOFF="H".
36	TES	Output pin of TES signal to DSP.
37	HFL	(HIGH FREQUENCY LEVEL) is used to judge whether main beam is located above pit or above mirror
38	SLOF	Sled servo off control input pin.
39	CV-	Input pin for CLV error signal from DSP.
40	CV+	Input pin for CLV error signal from DSP.
41	RFSM	RF output pin.
42	RFS-	Pin for setting RF gain and EFM signal 3T compensation constant together with RFSM pin.
43	SLC	(SLICE LEVEL CONTROL) is output pin for controlling data slice level by RF waveshape DSP.
44	SLI	Input pin for controlling data slice level by DSP.
45	DGND	GND pin of digital system.
46	FSC	For Focs Smoothing capacita output pin.
47	TBC	Tracking Balance control pin.
48	NC	NO CONNECT.
49	DEF	Output pin for detecting disc defect.
50	CLK	Standard clock input pin. DSP4.23MHz is input.
51	CL	Micro computer command clock input pin.
52	DAT	Micro computer command data input pin.
53	CE	Micro computer command chip enable input pin.
54	DRF	(DEFECT RF) RF level detecting output.
55	FSS	Focs serch select pin.
56	VCC2	VCC pin for servo system and digital system.
57	REF1	Connection pin for standard voltage capacitor.
58	VR	Standard voltage output pin.
59	LF2	Pin for setting constant at the time of detecting disc defect.
60	PH1	Pin for connecting condensor for RF signal peak hold.
61	BH1	Pin for connecting condensor for RF signal bottom hold.
62	LDD	APC circuit output pin.
63	LDS	APC circuit input pin.
64	VCC1	RF system VCC pin.

IC650 - LA9240MS



IC651 - BA6999FP



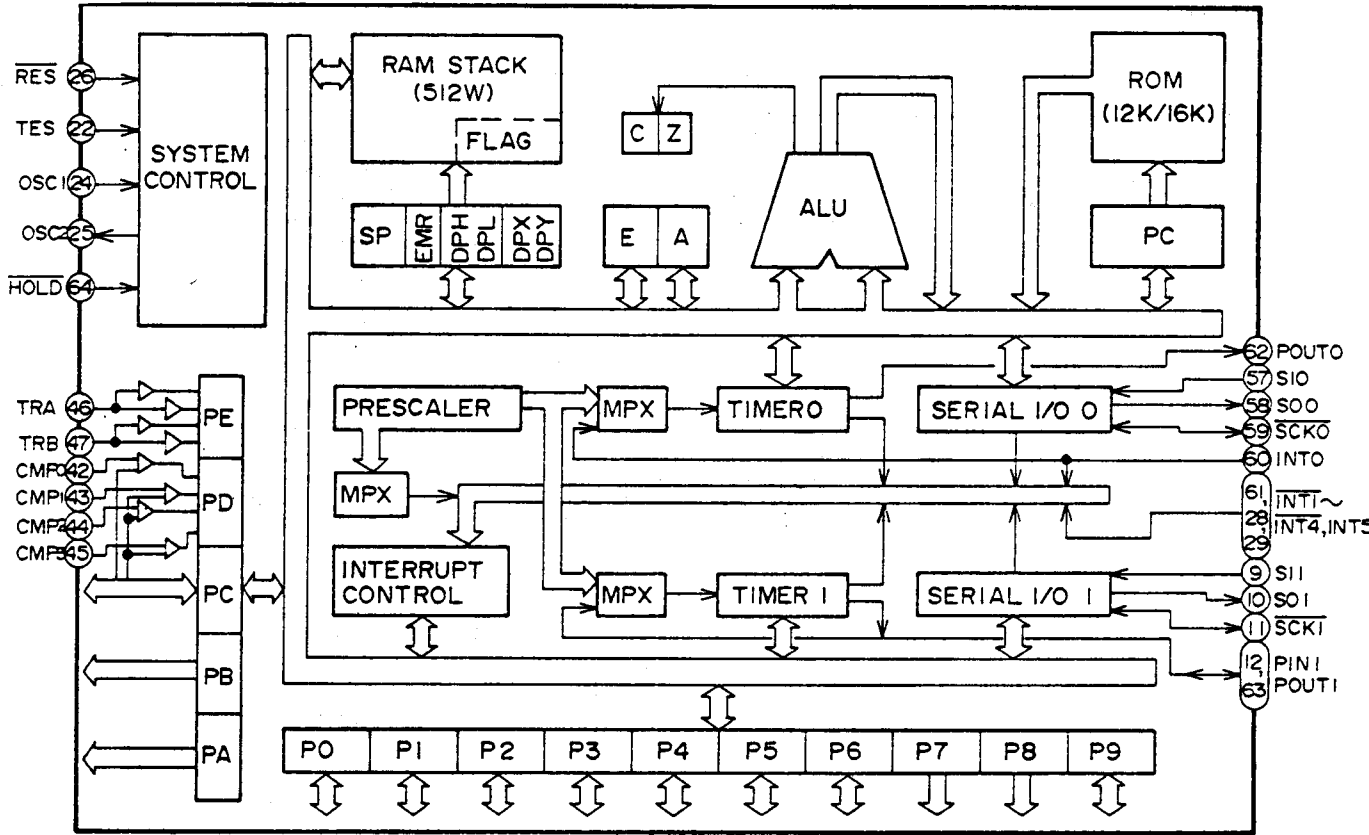
IC CIRCUIT BLOCK DIAGRAM

IC801 - LC66566B

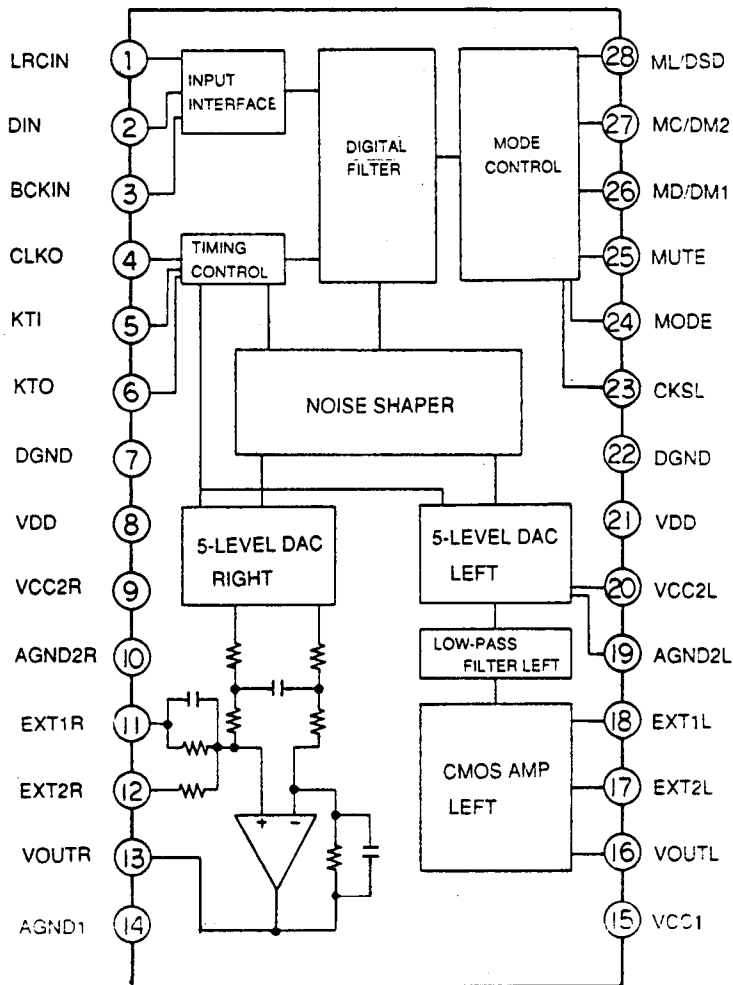
PIN NO	PORT NAME	I/O	DESCRIPTION	
1	D7	I/O	8bit bi-directional address or data bus	D2B
2	D6	I/O	8bit bi-directional address or data bus	D2B
3	D5	I/O	8bit bi-directional address or data bus	D2B
4	D4	I/O	8bit bi-directional address or data bus	D2B
5	D3	I/O	8bit bi-directional address or data bus	D2B
6	D2	I/O	8bit bi-directional address or data bus	D2B
7	D1	I/O	8bit bi-directional address or data bus	D2B
8	D0	I/O	8bit bi-directional address or data bus	D2B
9	CLAMP	I	Disc clamp finish SW input	
10	UP	I	Elevator upper limit SW input	
11	LOW	I	Elevator lower limit SW input	
12	MAG.SW	I	Magazine detection SW input	
13	DS	O	Data strobe to access data bus	D2B
14	A/D	O	Selects address or data on D0~D7	D2B
15	R/W	O	Read/Write selector	D2B
16	N.C	O	No connection	
17	N.C	O	No connection	
18	N.C	O	No connection	
19	N.C	O	No connection	
20	N.C	O	No connection	
21	INT	I	Interrupt input	D2B
22	TEST	I	Connection to ground	
23	VSS	-	Ground	
24	OSC1	I	Ceramic oscillator connection terminal for system clock	
25	OSC2	O	Ceramic oscillator connection terminal for system clock	
26	RESET	I	Reset signal input terminal	
27	BATT	I	Battery LOW detection input terminal	
28	N.C	O	No connection	
29	N.C	O	No connection	
30	POWER	O	Main power supply ON/OFF output terminal	
31	N.C	O	No connection	
32	ELV-	O	Elevator moving-down output signal	
33	ELV+	O	Elevator moving-up output signal	
34	FEM-	O	Pickup moving-inside output signal	
35	FEM+	O	Pickup moving-outside output signal	
36	LOAD+	O	Output to move a tray in the direction out of magazine with loading motor	
37	LOAD-	O	Output to move a tray in the direction back to magazine with loading motor	
38	N.C	O	No connection	
39	N.C	O	No connection	
40	VR0	I	Reference voltage for TH1	
41	VR1	I	Reference voltage for TH2	
42	TH1	I	Temperature sensor ON input signal	
43	TH2	I	Temperature sensor OFF input signal	
44	ACC	I	ACC ON/OFF detection input	
45	D.ON	I	Disc detection Photo transistor input terminal	
46	EJECT	I	Magazine eject key input terminal	
47	DRF	I	Focus OK signal input terminal	
48	N.C	O	No connection	
49	DISC.C	I	Elevator position detection pulse input	
50	6/10CD	I	Initial setting input terminal for 6discs or 10discs changer switching	
51	MUTE	O	Mute output terminal	
52	DSRST	O	Reset signal for DSP(LC78620E) output terminal	
53	LOADO	I	Magazine tray detection SW input	
54	INSIDE	I	Inner circle limit detection SW input	
55	N.C	O	No connection	
56	VDD	-	Power supply terminal(+5V)	
57	SQOUT	I	Interface with DSP(LC78620E)	
58	COIN	O	Interface with DSP(LC78620E)	
59	CQCK	O	Interface with DSP(LC78620E)	
60	WRQ	I	Interface with DSP(LC78620E)	
61	N.C	O	No connection	
62	RWC	O	Interface with DSP(LC78620E)	
63	N.C	O	No connection	
64	STBY	I	Stand by position cancellation input terminal	

IC CIRCUIT BLOCK DIAGRAM

IC801 - LC66566B

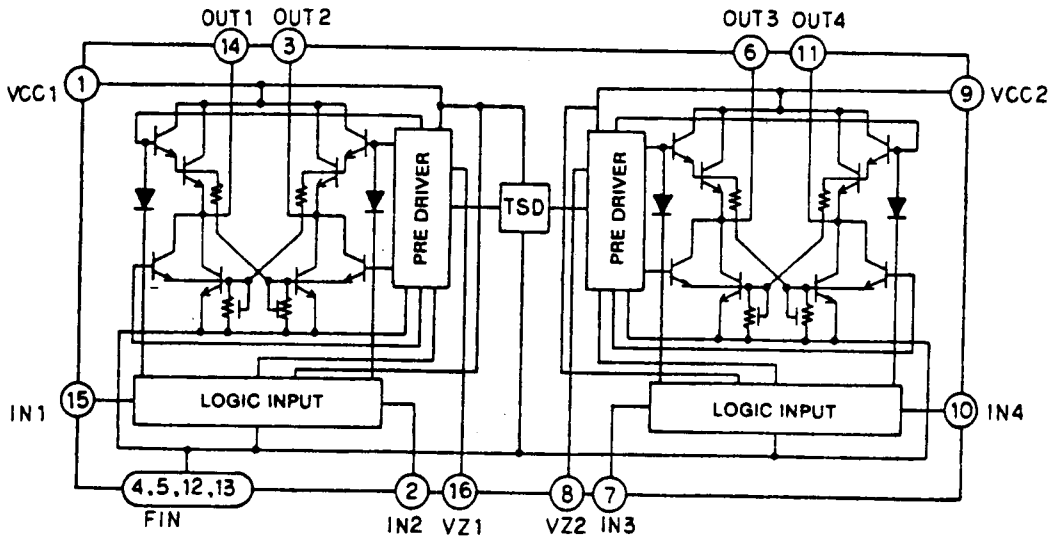


IC701 - PCM1710U

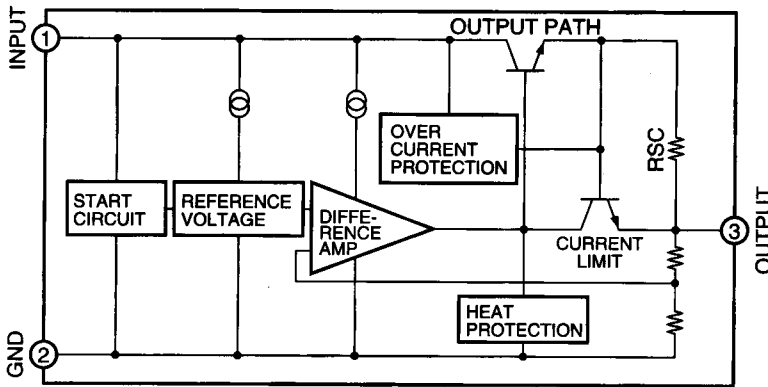


IC CIRCUIT BLOCK DIAGRAM

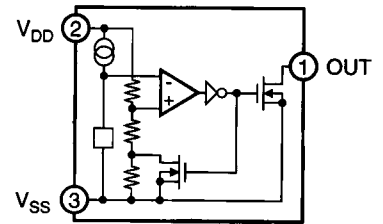
IC850 - LB1644



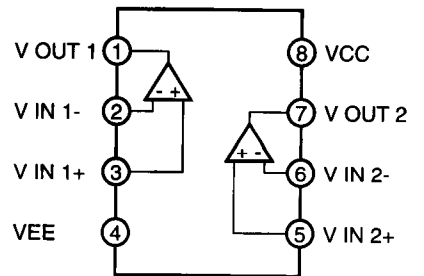
IC501 - MCM7805 / IC551 - L78M05T



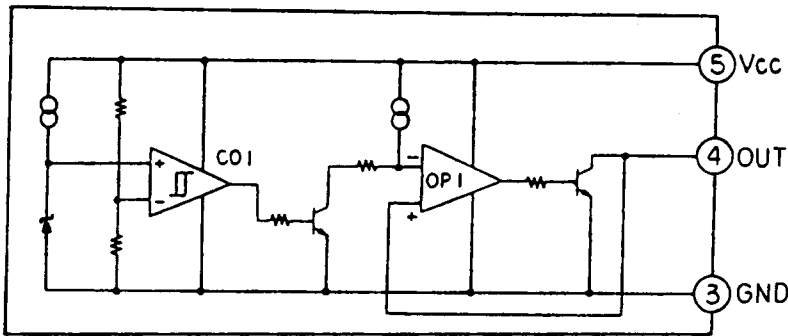
IC802 - S-8054HN



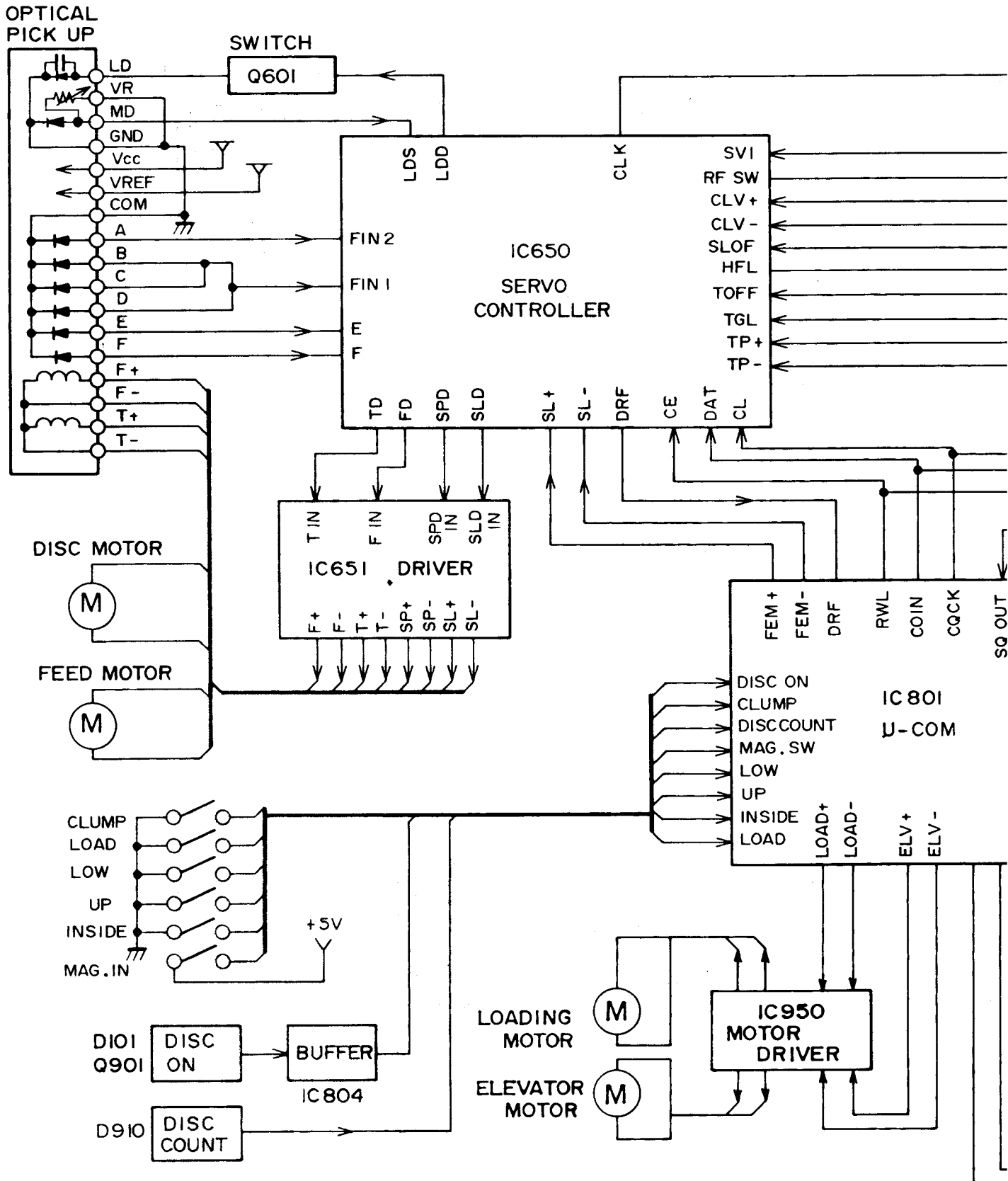
IC702 - NJM2100M



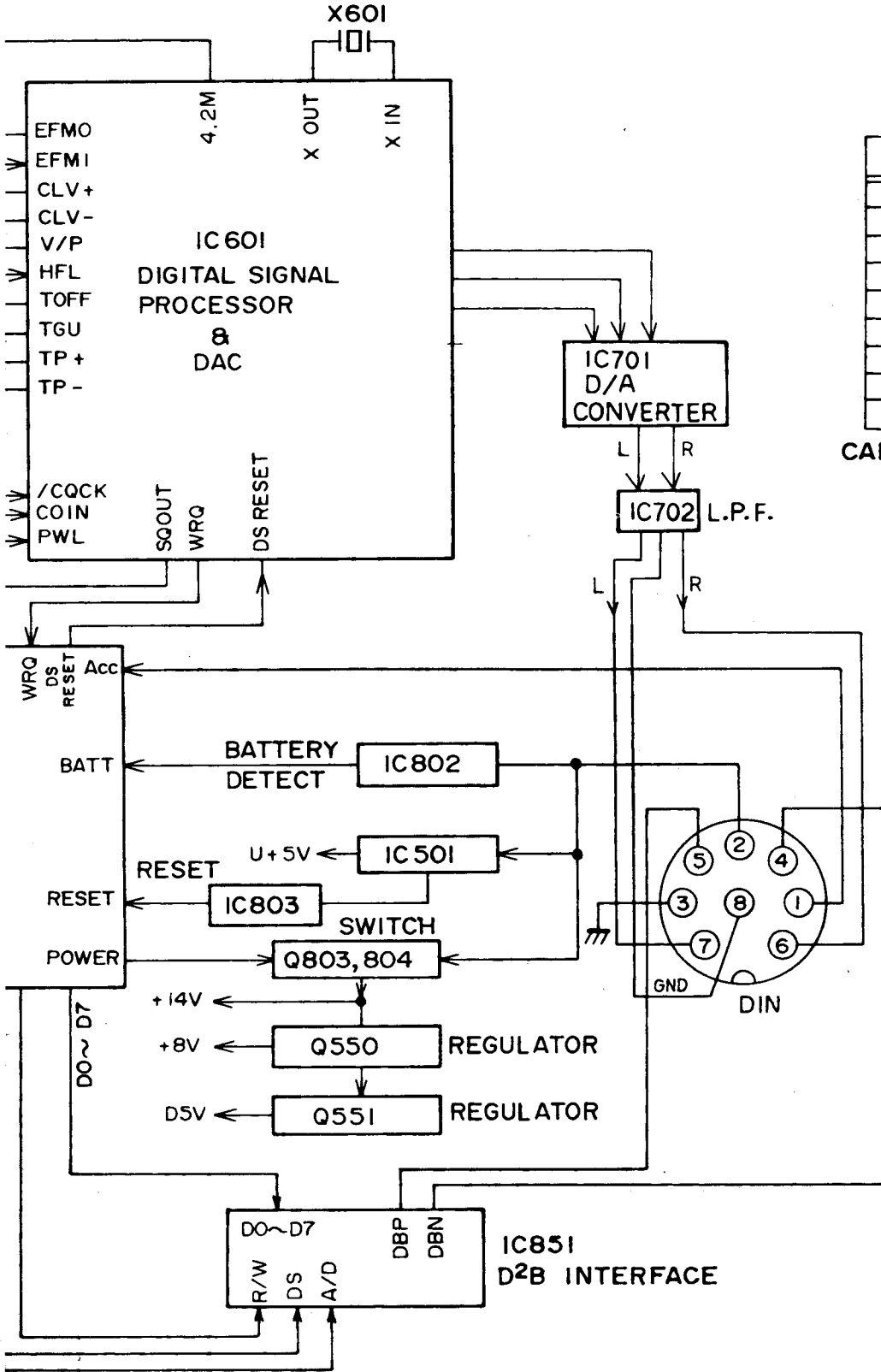
IC803 - PST9138N



BLOCK DIAGRAM



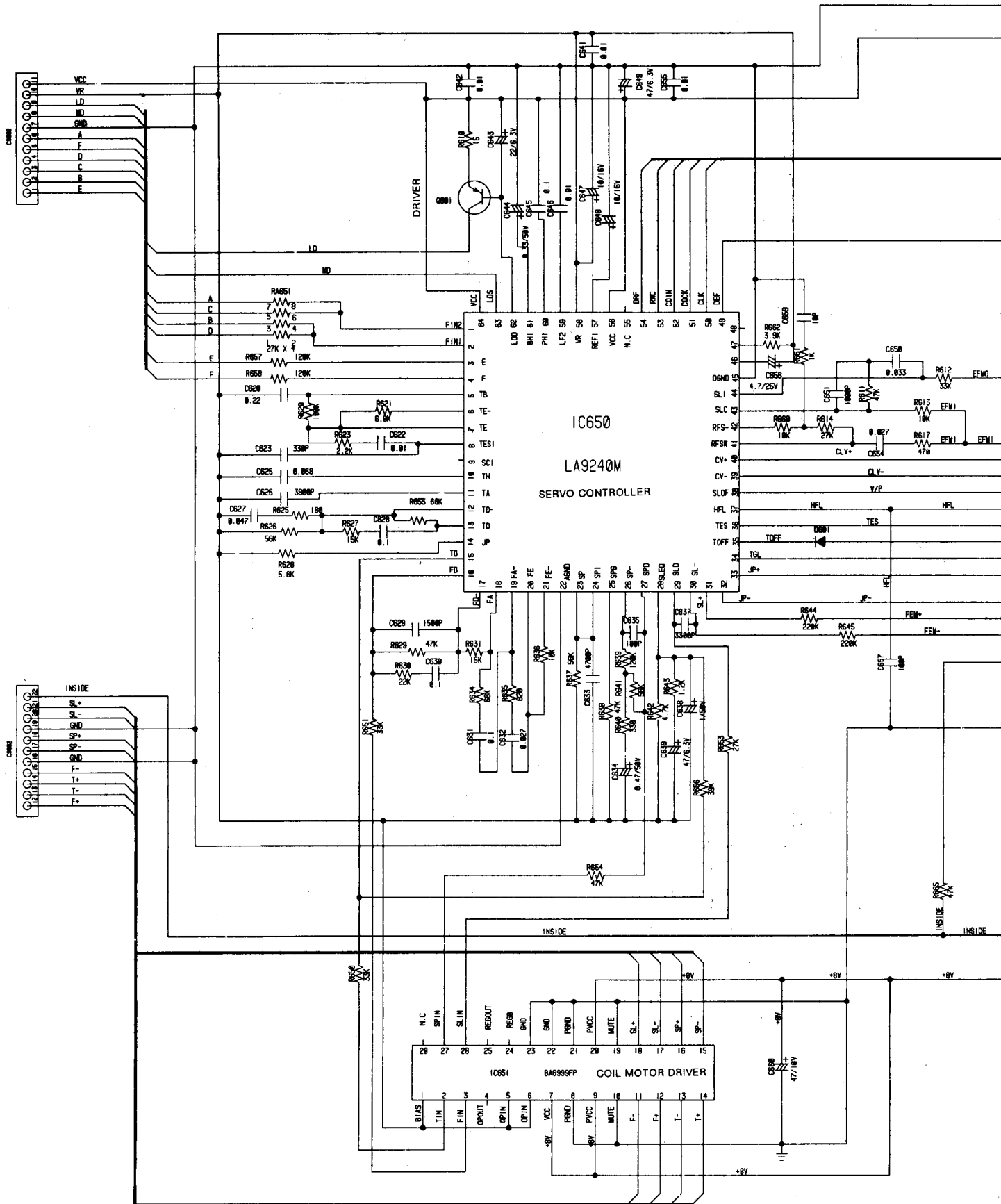
Note: DIN connections shown here from the REAR side of the connector.



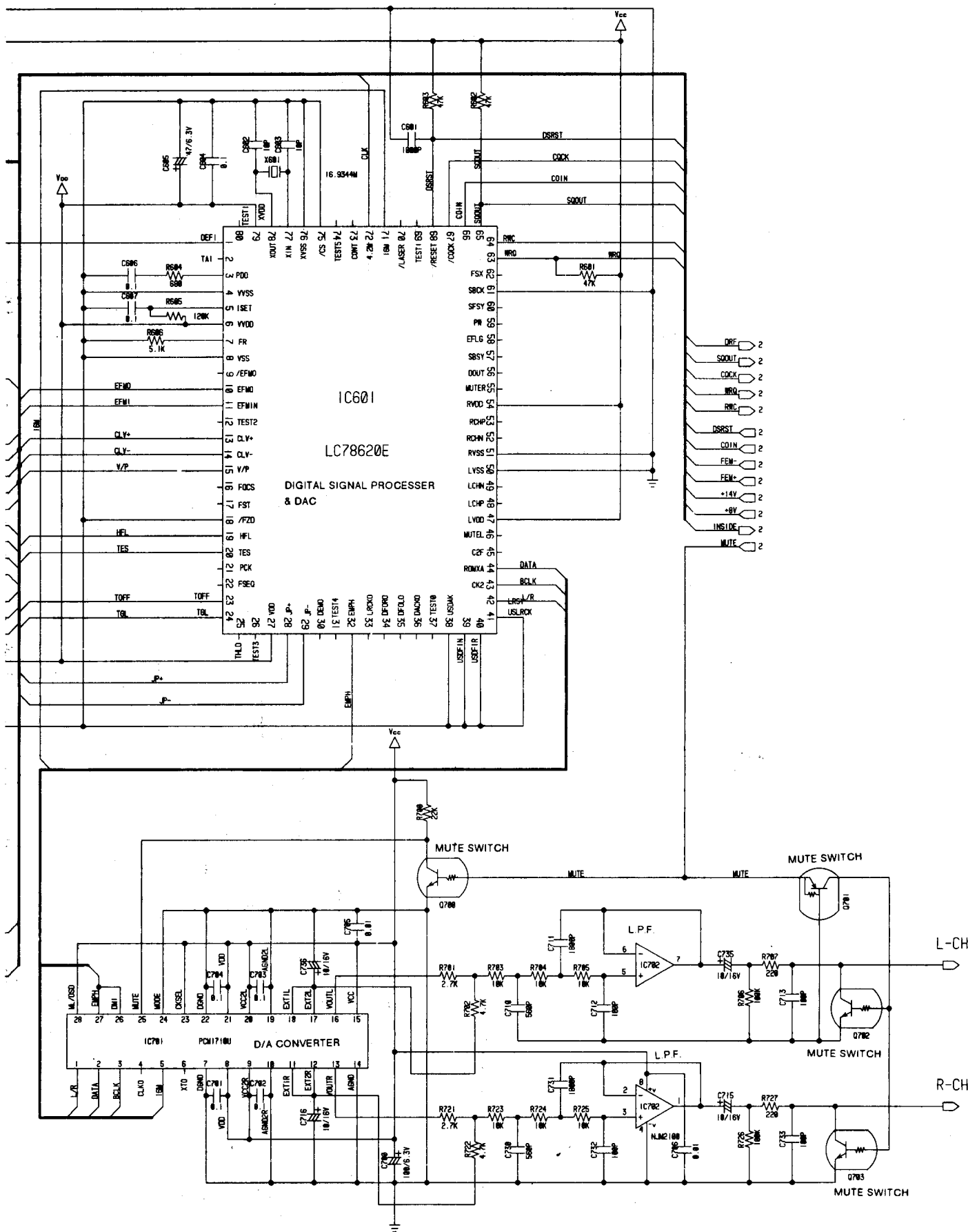
8PIN DIN	13PIN DIN
1	7
2	8
3	5
4	12
5	11
6	4
7	2
8	1,3
SHIELD	9, SHIELD

CABLE CONNECTION

CS982



- 0601 : 25A1338
- 0769, 0762, 0763 : 25C3859
- 0701 : 25A1341
- 0601 : 058010



VOLTAGE MEASUREMENT TABLES*(Note: all voltages given in these tables are average DC values, unless otherwise noted)***IC601 - LC78620E**

1:	0V
2:	N.C.
3:	3.0V
4:	0V
5:	1.8V
6:	5.0V
7:	1.5V
8:	0V
9:	N.C.
10:	5.0V PULSE
11:	2.5V
12:	N.C.
13:	5.0V PULSE
14:	0V
15:	0V
16:	N.C.
17:	N.C.
18-20:	0V
21:	N.C.
22:	N.C.
23:	0V
24:	5.0V
25:	N.C.
26:	N.C.
27:	5.0V
28:	0V
29:	0V
30-37:	N.C.
38-41:	0V
42-46:	N.C.
47:	5.0V
48:	5.0V PULSE
49:	5.0V PULSE
50:	0V
51:	0V
52:	5.0V PULSE
53:	5.0V PULSE
54:	5.0V
55-60:	N.C.
61:	0V
62:	N.C.
63-65:	5.0V PULSE
66:	5.0V
67:	5.0V CLOCK
68:	5.0V
69-71:	N.C.
72:	5.0V CLOCK
73:	N.C.
74:	N.C.
75:	0V
76:	0V
77:	4.2V
78:	5.0V CLOCK
79:	5.0V
80:	N.C.

IC650 - LA9240MS

1-21:	2.5V
22:	0V
23-31:	2.5V
32:	0V
33:	0V
34:	5.0V
35:	0V
36:	5.0V PULSE
37-39:	0V
40:	5.0V PULSE
41:	3.0V PULSE
42-44:	2.5V
45:	0V
46-48:	N.C.
49:	0V
50:	5.0V CLOCK
51:	5.0V CLOCK
52:	5.0V
53:	0V
54:	5.0V
55:	N.C.
56:	5.0V
57-60:	2.5V
61:	2.0V
62:	3.8V
63:	0.2V
64:	5.0V

IC651 - BA6999FP

1-3:	2.5V
4:	N.C.
5:	2.5V
6:	2.5V
7:	8.0V
8:	0V
9:	8.0V
10:	0V
11:	0.5V
12-14:	0V
15:	2.0V PULSE
16-19:	0V
20:	8.0V
21-23:	0V
24:	N.C.
25:	N.C.
26:	2.5V
27:	2.5V
28:	N.C.

IC701 - PCM1710U

1-6:	5.0V CLOCK
7:	0V
8:	5.0V
9:	5.0V
10:	0V
11-13:	2.5V
14:	0V
15:	5.0V
16:	2.5V
17:	2.5V
18:	0V
19:	0V
20:	5.0V
21:	5.0V
22:	0V
23:	5.0V
24:	0V
25:	5.0V
26:	0V
27:	0V
28:	5.0V

IC702 - NJM2100M

1-3:	2.5V
4:	0V
5-7:	2.5V
8:	5.0V

Q601 - 2SA1338-6

B:	3.5V
C:	2.0V
E:	4.0V

Q700 - DTC114TK

B:	0V
C:	5.0V
E:	0V

Q701 - UN2113

B:	0V
C:	0V
E:	0V

Q702 - DTC114TK

B:	0V
C:	0V
E:	0V

Q703 - DTC114TK

B:	0V
C:	0V
E:	0V

VOLTAGE MEASUREMENT TABLES*(Note: all voltages given in these tables are average DC values, unless otherwise noted)***IC501 - MC147805AUT**

1: 0.5V
 2: 12.0V
 3: 5.5V

IC551 - L78M05T

1: 8.0V
 2: 0V
 3: 5.0V

IC801 - LC66566B

1: 5.0V
 2: 5.0V
 3: 0V
 4: 5.0V
 5-9: 0V
 10: 5.0V
 11: 5.0V
 12: 0V
 13: 5.0V
 14: 0V
 15: 5.0V
 16-20: 0V
 21: 5.0V
 22: 0V
 23: 0V
 24: 5.0V CLOCK
 25: 5.0V CLOCK
 26-30: 5.0V
 31-39: 0V
 40: 1.8V
 41: 2.0V
 42: 4.0V
 43: 4.0V
 44: 5.0V
 45: 0V
 46: 0V
 47: 5.0V
 48: 5.0V
 49-51: 0V
 52-55: 5.0V
 56: 5.0V
 57: 5.0V PULSE
 58: 5.0V
 59: 5.0V CLOCK
 60: 5.0V PULSE
 61-63: 0V
 64: 5.0V

IC802 - S-8054HN

1: 5.0V
 2: 8.0V
 3: 0V

IC803 - PST9138N

1: N.C.
 2: 0V
 3: 0V
 4: 5.0V
 5: 5.0V

IC804 - TC7SU04F

1: 0V
 2: 4.5V
 3: 0V
 4: 0V
 5: 5.0V

IC805 - TC7SU04F

1-3: 0V
 4: 5.0V
 5: 5.0V

IC806 - TC4S71F

1: 5.0V
 2: 5.0V
 3: 0V
 4: 5.0V
 5: 5.0V

IC850 - LB1644

1: 12.0V
 2-8: 0V
 9: 12.0V
 10-16: 0V

IC851 - MSM6307GS

1-3: 5.0V PULSE
 4: 0V
 5: 5.0V PULSE
 6: 5.0V PULSE
 7: 0V
 8: 5.0V PULSE
 9: 5.0V PULSE
 10-16: 0V
 17: 5.0V
 18: 0V
 19: 2.5V
 20: 2.5V

21: 5.0V
 22: 5.0V PULSE
 23: 5.0V
 24: 5.0V CLOCK
 25: 5.0V CLOCK
 26: 5.0V
 27: 5.0V PULSE
 28: 0V
 29-32: 5.0V PULSE

Q510 - 2SC2812

B: 5.5V
 C: 12.0V
 E: 5.0V

Q550 - 2SD2199S

B: 8.6V
 C: 12.0V
 E: 8.0V

Q803 - DTC124XK

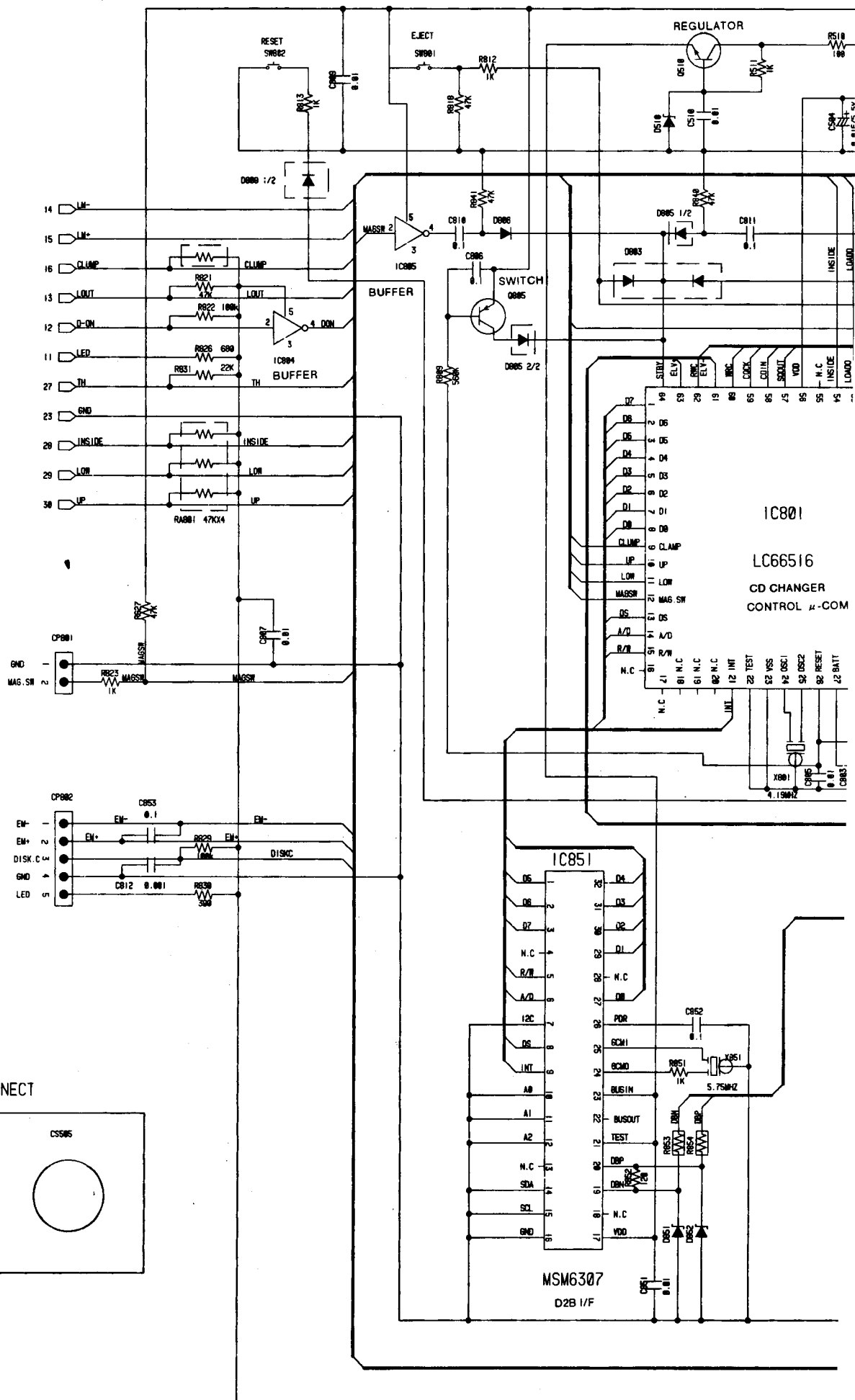
B: 4.0V
 C: 0V
 E: 0V

Q804 - 2SB1202

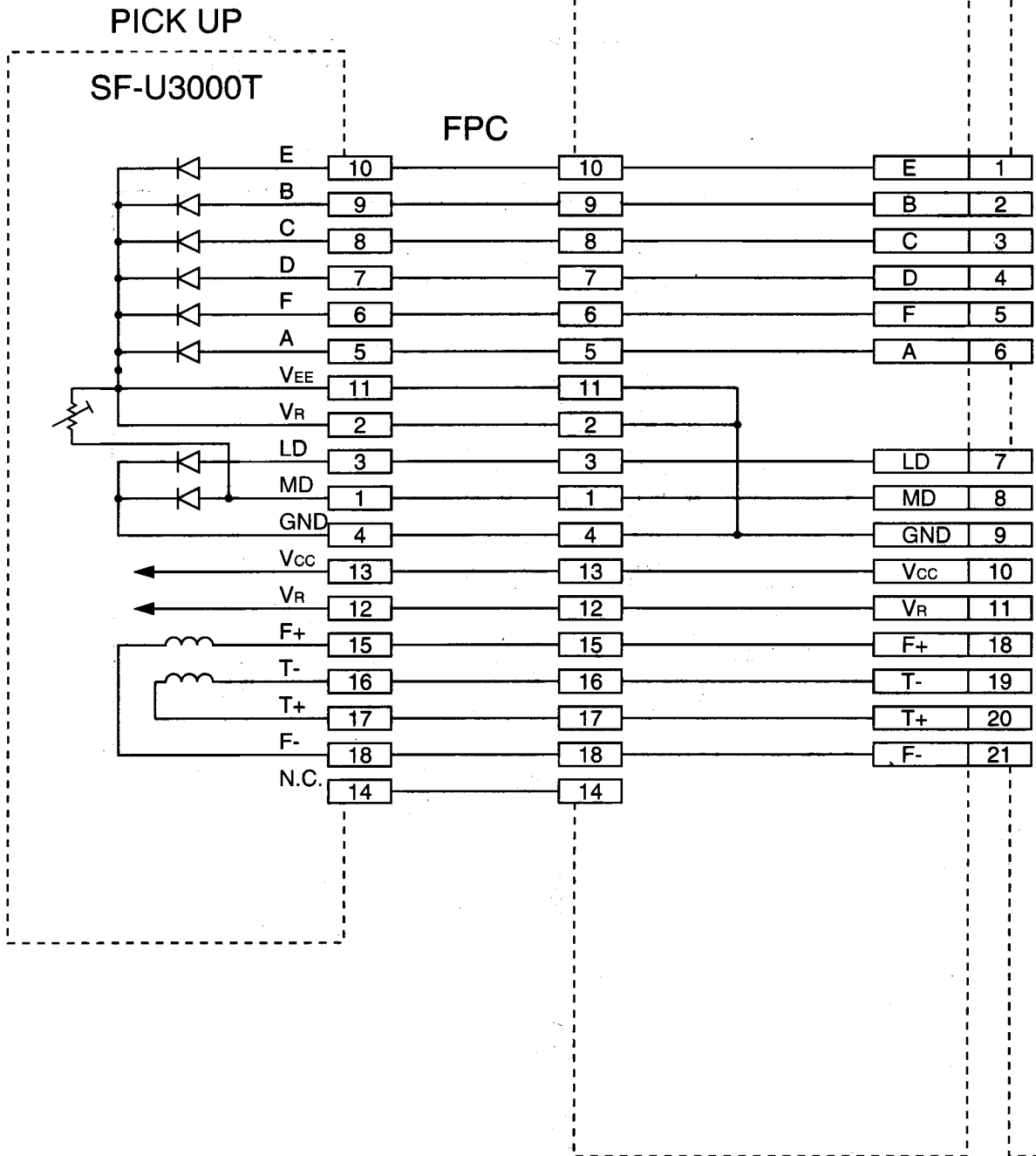
B: 11.0V
 C: 12.0V
 E: 12.0V

Q805 - 2SA1179

B: 5.0V
 C: 0V
 E: 5.0V



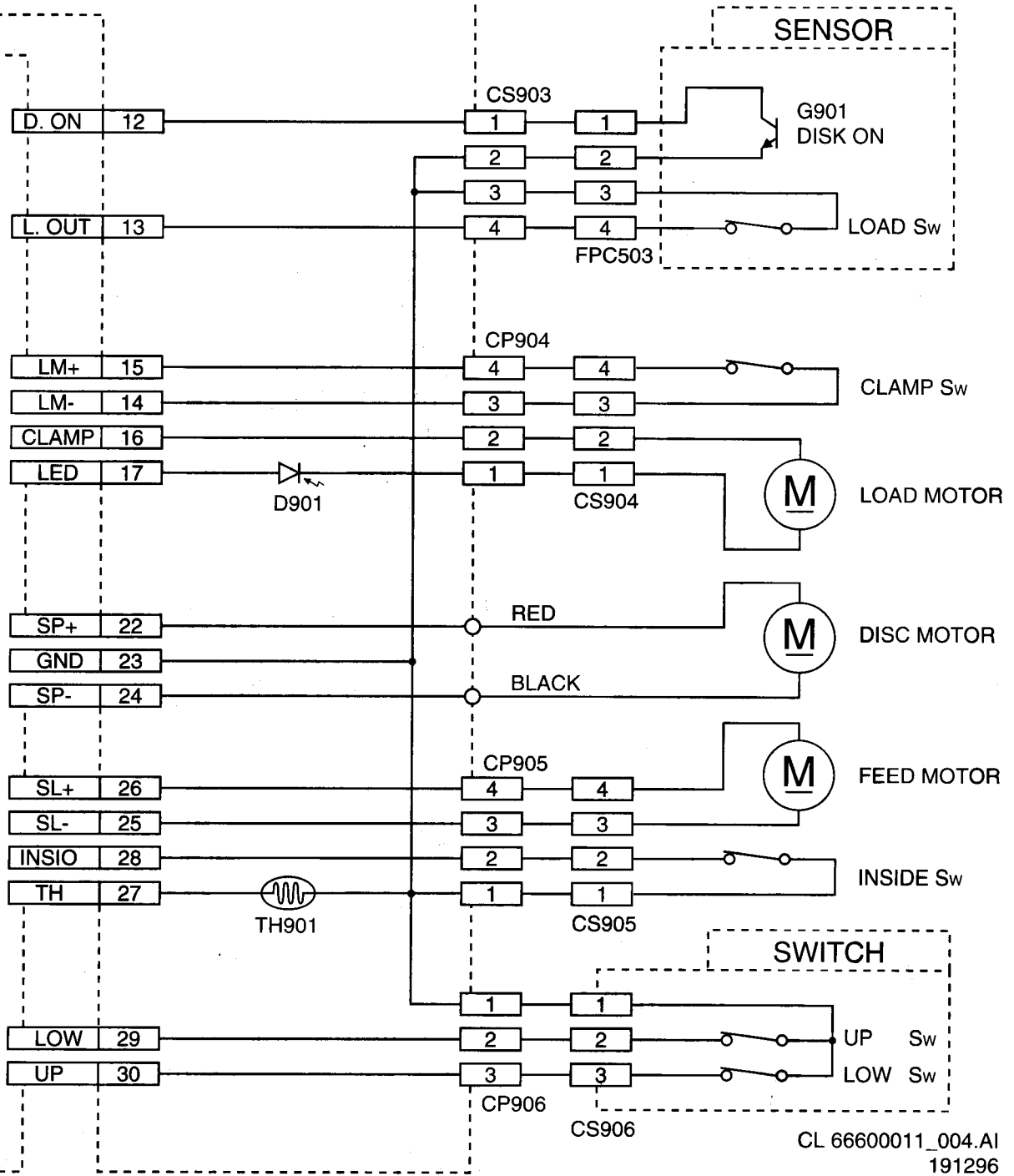
CD F



PCS 92 150

PCB

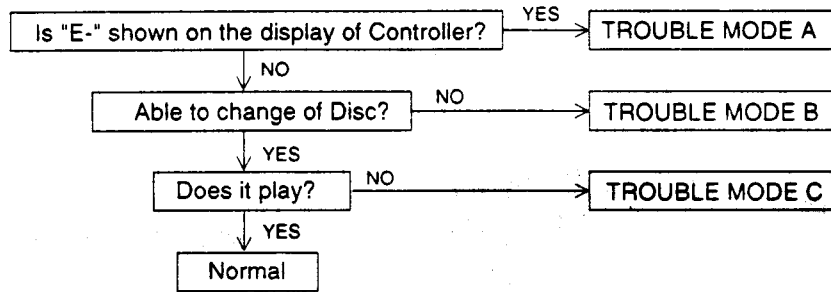
302
602



CL 66600011_004.AI
191296

TROUBLE SHOOTING

TROUBLE CHECKING FLOW CHART



1. TROUBLE MODE A

"E" displayed by mechanical trouble of changer Mechanism. (At first, check voltage of car battery.)

E-07..... TOC Reading Defective

- Disc is reversed
- Disc is stained
- Chucking is imperfect
- Inner Circlelimit SW defective
- Feed Motor Mechanism defective
- P.U FPC Short has not removed

E-30.....Temperature Trouble Message

- The temperature inside the changer goes above its reference temperature.

2. TROUBLE MODE B

(Disc change is not completed within 30 seconds.)

- Mechanism defective
- Magazine defective
- LOAD SW, UP SW, LOW SW, CLAMP SW, MAG SW defective.
- Q901, D901, D910 defective

3. TROUBLE MODE C

SYMPTOM	DEFECTIVE CIRCUIT	DEFECTIVE POINT
Disc Turning	Inferiority Feed Motor Circuit	· Check inner circlelimit SW and CS602 28pin
		· Check voltage of IC801
		· Check voltage of IC651 17, 18pin
	Focus Search Circuit	· Check Feed Motor and Mechanism
		· Check voltage of IC650 16pin
		· Check voltage of IC651 11, 12pin
APC	· Check CS602 18, 21pin	
	· Check pickup	
Disc Motor Circuit	· Check Q601 short or open	
	· Check IC601 62,63pin	
	· Check pickup	
Power Supply Circuit	· Check IC601 13pin and IC650 27pin	
	· Check IC651 15, 16pin	
	· Check Disc Motor and Mechanism	
Track Search	Tracking Servo Circuit	· Check IC801 11,13pin
		· Check Q803, Q804
		· Check Q550 and IC551
		· Check voltage of TP, TE and adjustment Inferiority of SVR651
Kick Pulse Circuit	Feed Motor Circuit	· Check IC650 15pin and IC651 13,14pin
		· Check IC651 3, 4pin
		· Check pickup
Noise	RF Circuit	· Check IC601 28, 29pin and IC650 14pin
		· Check IC650 29pin
	Mechanism	· Check Feed Motor and Mechanism
		· Check waveform of TP RF
Audio Circuit	Audio Circuit	· Check eccentricity of Mechanism and Disc rub
		· Check IC701,702
		· Check Q700~703
		· Check CP501 6, 7, 8pin

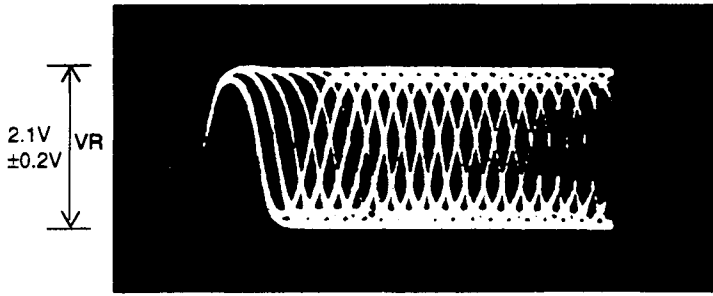
TROUBLE SHOOTING

WAVE FORM

Note: Reference voltage VR → TP, VR (2.50)

MODE PLAY

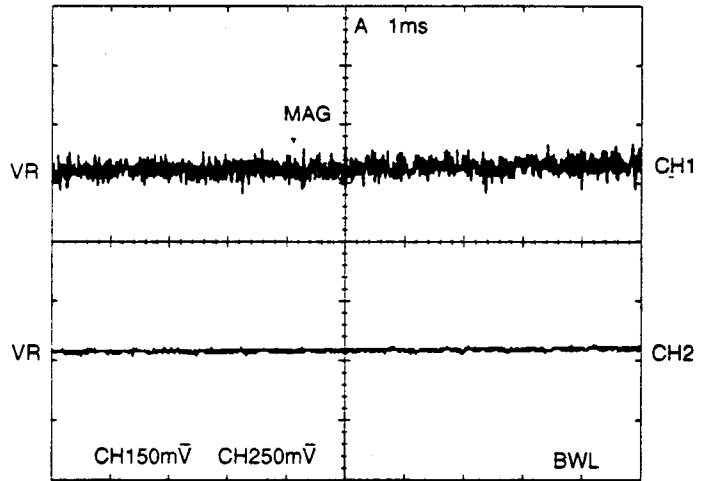
RF (TP, RF) 0.5μs



MODE PLAY

CH1 TE (TP, TE)

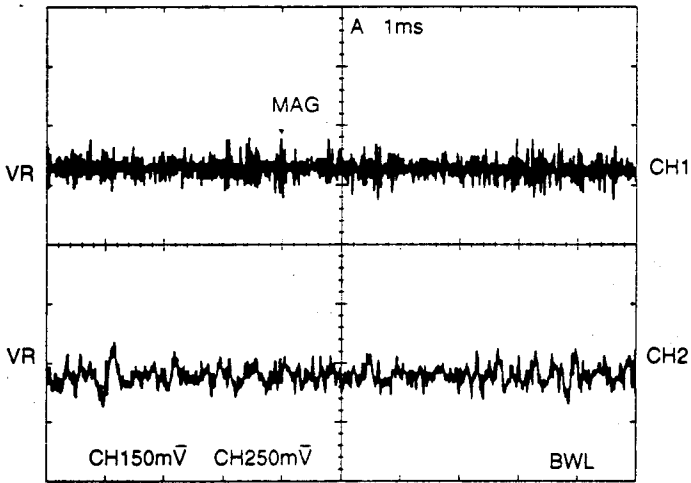
CH2 FE (TP, FE)



MODE PLAY

CH1 TO (IC650 15PIN)

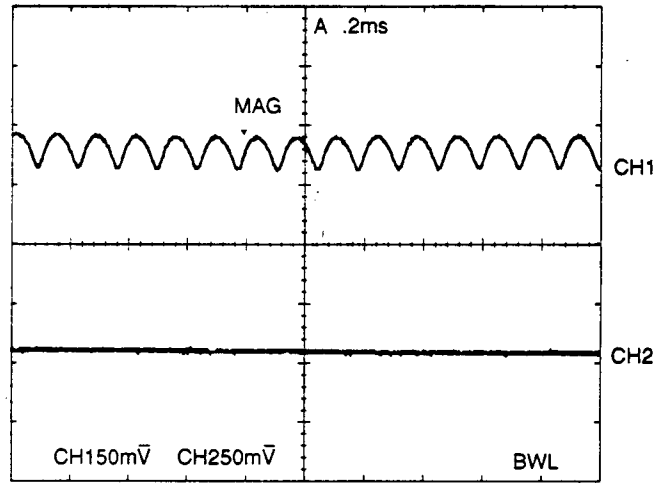
CH2 FD (IC650 16PIN)



MODE PLAY

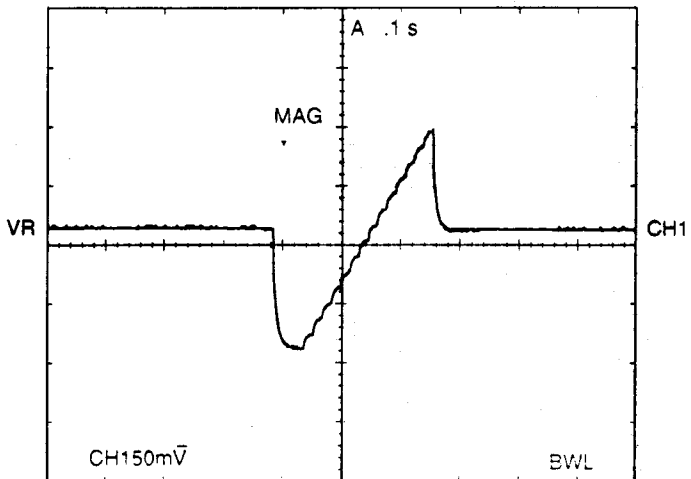
CH1 SPD (IC650 27PIN)

CH2 SLEQ (IC650 28PIN)



MODE FOCUS SEARCH

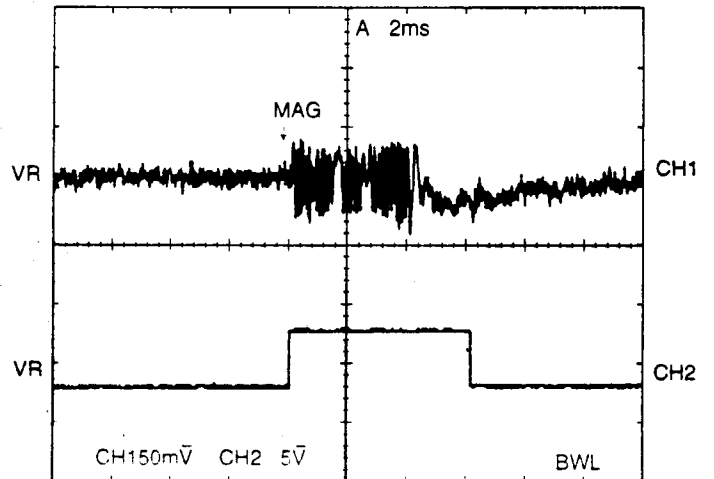
CH1 FD (IC650 16PIN)



MODE Forward Search (64 Track jump)

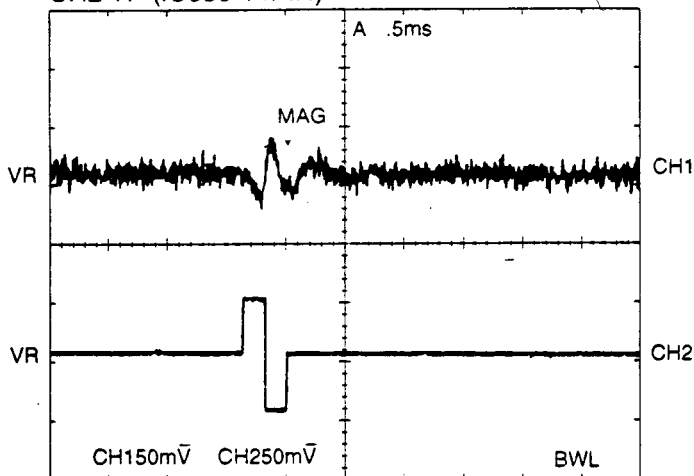
CH1 TE (TP, TE)

CH2 FEM+ (IC801 1PIN)

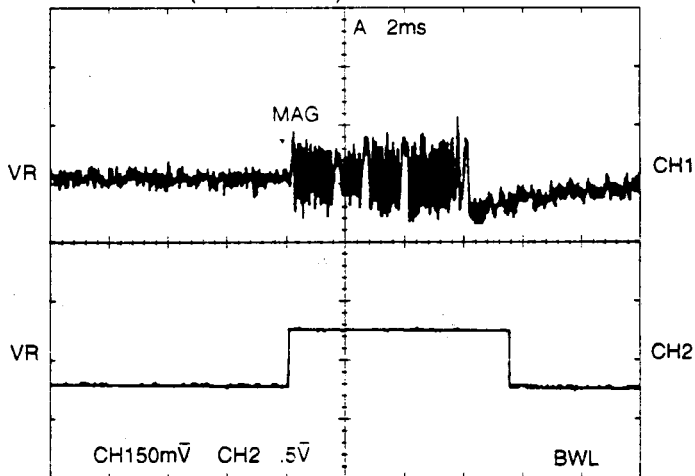


TROUBLE SHOOTING

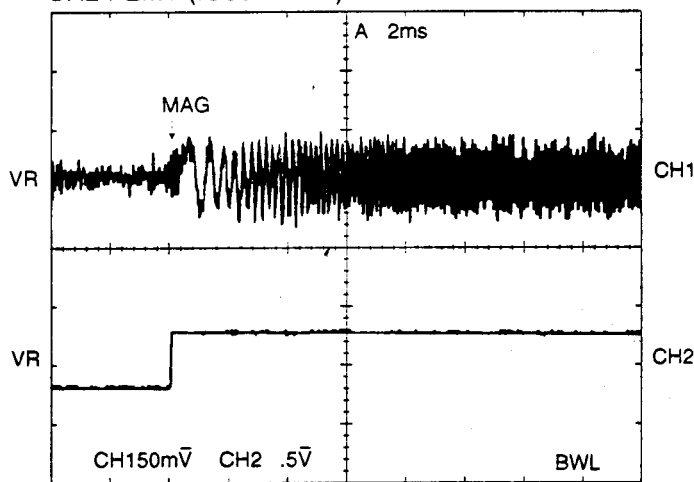
MODE PAUSE
 CH1 TE (TP, TE)
 CH2 TP (IC650 14PIN)



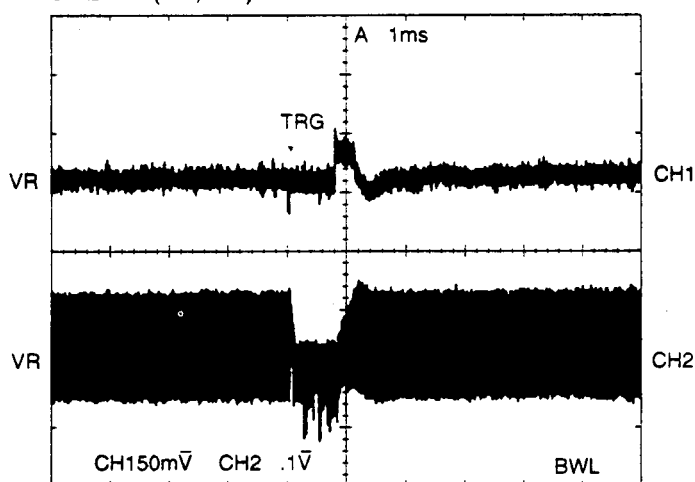
MODE Forward Search (128 Track jump)
 CH1 TE (TP, TE)
 CH2 FEM+ (IC801 1PIN)



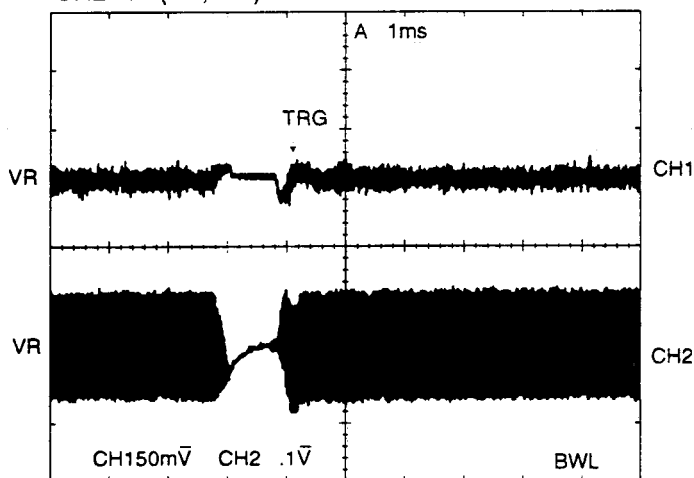
MODE Forward Search (Track count)
 CH1 TE (TP, TE)
 CH2 FEM+ (IC801 1PIN)

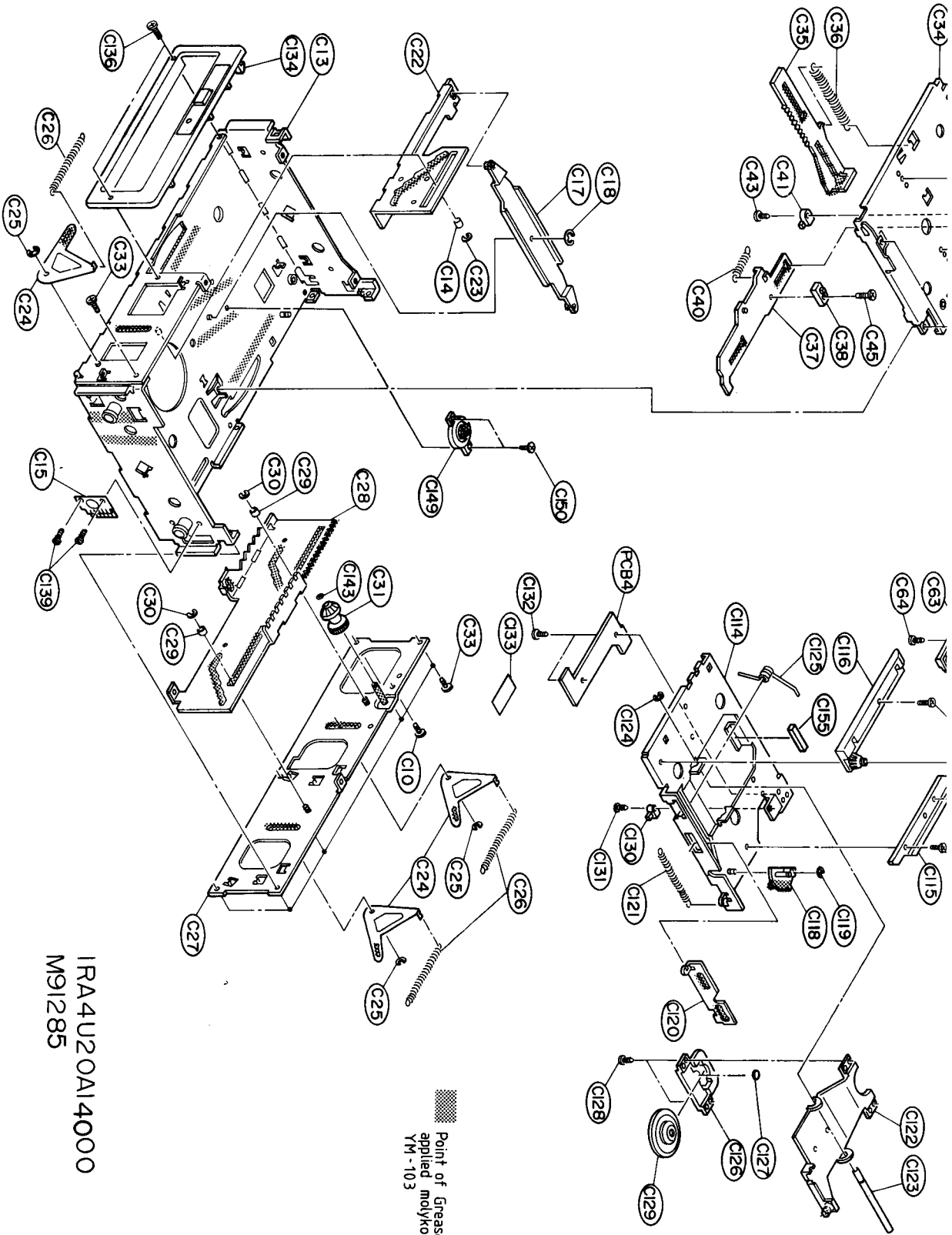


MODE PLAY (The interruption part passes 1mm)
 CH1 TE (TP, TE)
 CH2 RF (TP, RF)



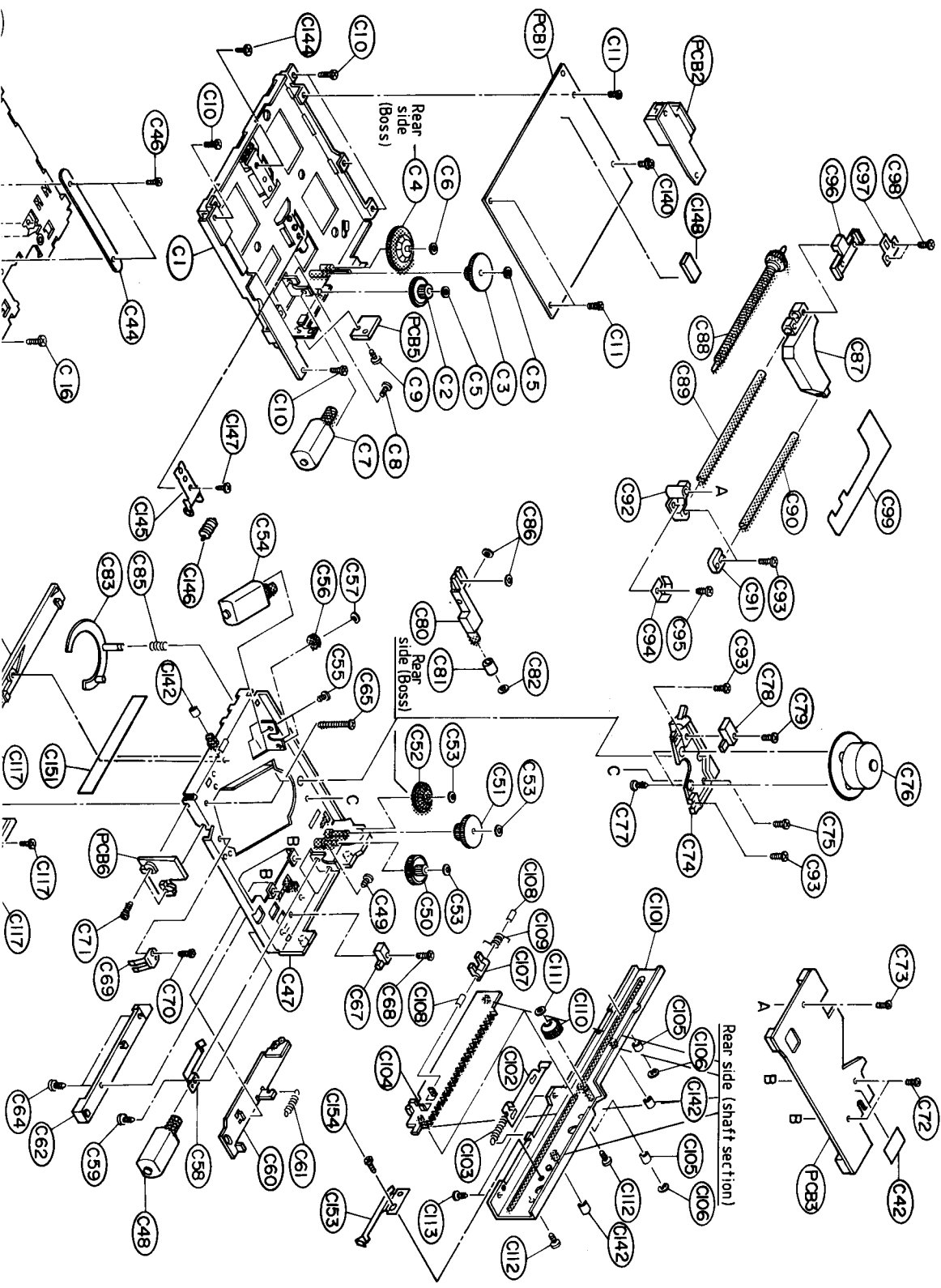
MODE PLAY (The black dots part passes 1mm)
 CH1 TE (TP, TE)
 CH2 RF (TP, RF)





IRA4U20A14000
M91285

EXPLODED VIEW CD CHANGER MECHANISM / LUBRICATION OVERVIEW

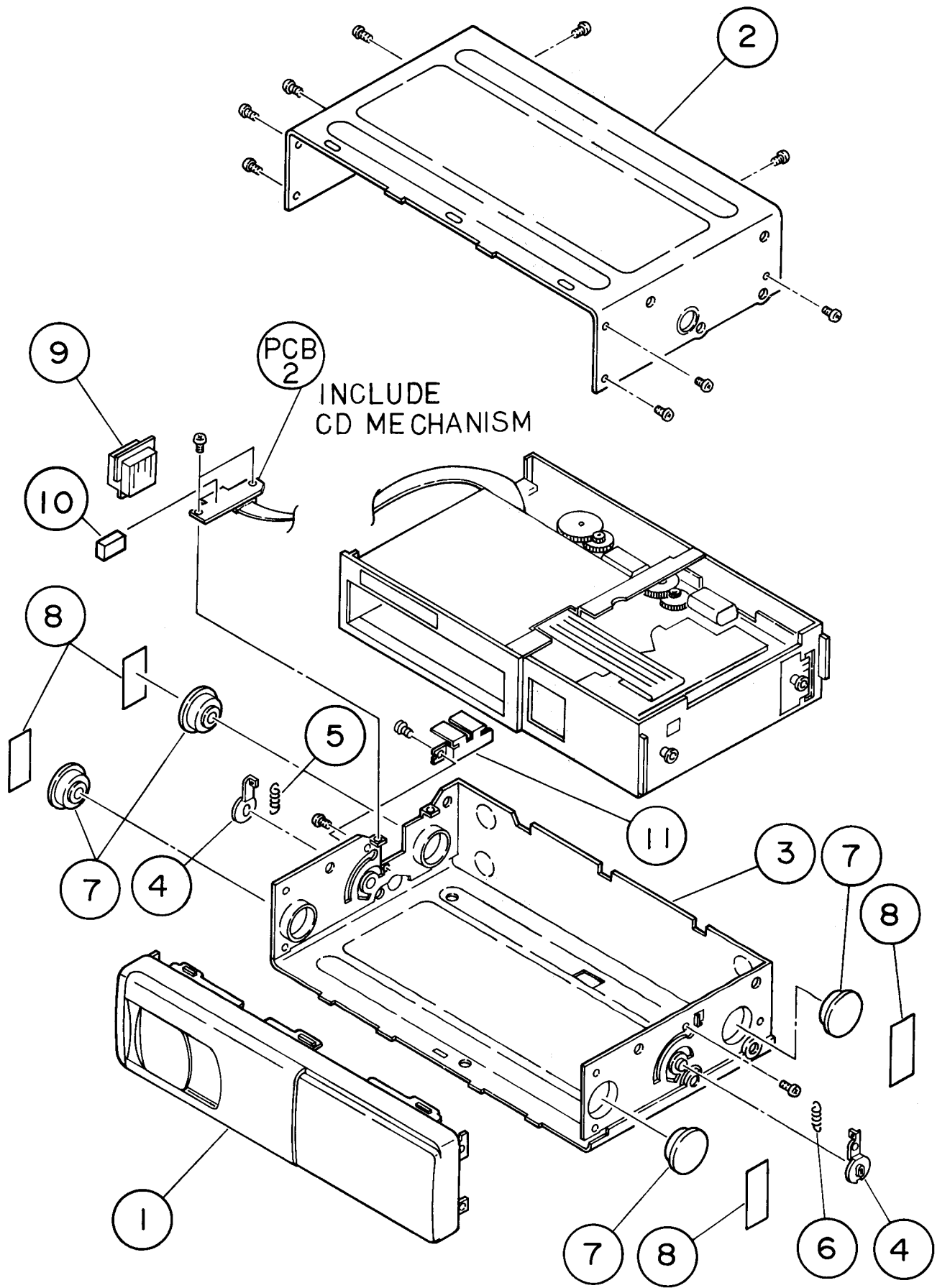


MECHANICAL PARTS RC026

C2	4822 522 33508	Gear, A
C3	4822 522 33509	Gear, B
C4	4822 522 33511	Gear, C
C5	4822 532 12294	Special washer
C6	4822 532 12295	Special washer
C7	4822 361 30441	Assy DC motor
C23	4822 532 12293	Special washer
C30	4822 532 12293	Special washer
C31	4822 522 33512	Gear, D
C41	4822 276 13547	Switch, push
C48	4822 361 30441	Assy DC motor
C50	4822 522 10595	Gear, LA
C51	4822 522 10596	Gear, LB
C52	4822 522 33514	Gear, G
C53	4822 532 12294	Special washer
C54	4822 361 10935	Assy CD feed motor
C56	4822 522 10597	Gear, FB
C57	4822 532 12735	Special washer
C67	4822 276 13547	Switch, push
C76	4822 361 10936	Assy DC motor
C78	4822 276 13547	Switch, push
C82	4822 532 12294	Special washer
C86	4822 532 12295	Special washer
C87	4822 691 10567	Pickup unit
C91	4822 535 10449	Shaft
C92	4822 502 14399	Screw
C96	4822 463 11123	Thrust, screw
C102	4822 402 61548	Lever, switch
C104	4822 402 61549	Assy lever/slide
C106	4822 532 12293	Special washer
C110	4822 522 33515	Gear, H
C111	4822 532 12294	Special washer
C129	4822 528 11071	Flange
C130	4822 276 13547	Switch, push
C134	4822 459 04421	Panel assy
C143	4822 532 12295	Special washer
C145	4822 402 10626	Arm, roller
C146	4822 528 11069	Roller
	4822 321 62668	Cable, 2p - 160mm
	4822 320 11737	Cable, 4p - 40mm
	4822 320 11738	Cable, 5p - 90mm

Note: all parts not mentioned here are no service parts!

EXPLODED VIEW CABINET PARTS



IRA4U29A33000
RC026

CABINET PARTS AND ACCESSORIES

Note: all parts not mentioned here are no service parts!

1	4822 459 04422	Front panel assy
2	4822 444 40787	Cabinet assy
3	4822 442 00686	Bottom lid assy
7	4822 529 10308	Damper
9	4822 462 10841	Cap for DIN connector
	4822 736 14834	Instructions for use
	4822 402 61551	Accessory part assy - brackets
	4822 310 10777	Accessory part assy - car fixation brackets
	4822 310 10778	Accessory part assy - brackets and bolts
	4822 321 62671	DIN extension cable 5.5m
	4822 321 62263	Rect.C - DIN interface cable
	4822 691 10569	CD magazine assy
	4822 502 21556	Transport screw

Note: all parts not mentioned here are no service parts!



D502	4822 130 82557	DCC010
D503	4822 130 10782	DSB015
D504	4822 130 83633	MA704A
D510	4822 130 83765	Zener 5.6V
D520	4822 130 31533	DS135
D521	4822 130 31533	DS135
D550	4822 130 10783	Zener 8.2V
D601	4822 130 83631	DSB010
D801	4822 130 83632	Zener 5.1V
D802	4822 130 83631	DSB010
D803	4822 130 83637	DCB010
D805	4822 130 83637	DCB010
D806	4822 130 83631	DSB010
D809	4822 130 10784	DCA010
D850	4822 130 80273	Zener 8.2V
D851	4822 130 10657	Zener 5.6V
D852	4822 130 10657	Zener 5.6V
D901	4822 130 10114	LED SLR-989A-AB
D910	4822 130 91369	Photo coupler SPI-235-1
	4822 130 63655	Photo diode PT4850F



Q510	4822 130 60753	2SC2812-L6
Q550	4822 130 10786	2SD2199S-TSD-DR
Q601	4822 130 10787	2SA1338-6
Q700	4822 130 90323	DTC114TK
Q701	4822 111 90813	UN2113
Q702	4822 130 90323	DTC114TK
Q703	4822 130 90323	DTC114TK
Q803	4822 130 63551	DTC124XK
Q804	4822 130 62912	2SB1202(ST)
Q805	4822 130 10785	2SA1179-M6



IC501	4822 209 33241	MC147805AUT
IC551	4822 209 33094	L78M05T
IC601	4822 209 15225	LC78620E-D
IC650	4822 209 15227	LA9240M servo
IC651	4822 209 15228	BA6999FP
IC701	4822 209 15226	PCM1710U
IC702	4822 209 30455	NJM2100M
IC801	4822 209 15229	LC66566B-4H90
IC802	4822 209 63631	S-8054HN-CB
IC803	4822 209 15203	PST9138N
IC804	4822 209 32984	TC7SU04F
IC805	4822 209 32984	TC7SU04F
IC806	4822 209 72397	TC4S71F
IC850	4822 209 33758	LB1644
IC851	4822 209 32743	MSM6307GS

MISCELLANEOUS

CS505	4822 267 31758	DIN socket
L520	4822 157 11124	SK 5mH
SW801	4822 276 13828	Eject switch
SW802	4822 276 13548	Reset switch
TH901	4822 111 92201	Thermistor (NTH4G42B104EB)
X601	4822 242 81702	Crystal 16.9433MHz
X801	4822 242 73769	Ceramic resonator 4.190MHz
X851	4822 242 10678	Ceramic resonator 5.75MHz
	4822 276 13547	UP switch
	4822 276 13547	LOW switch